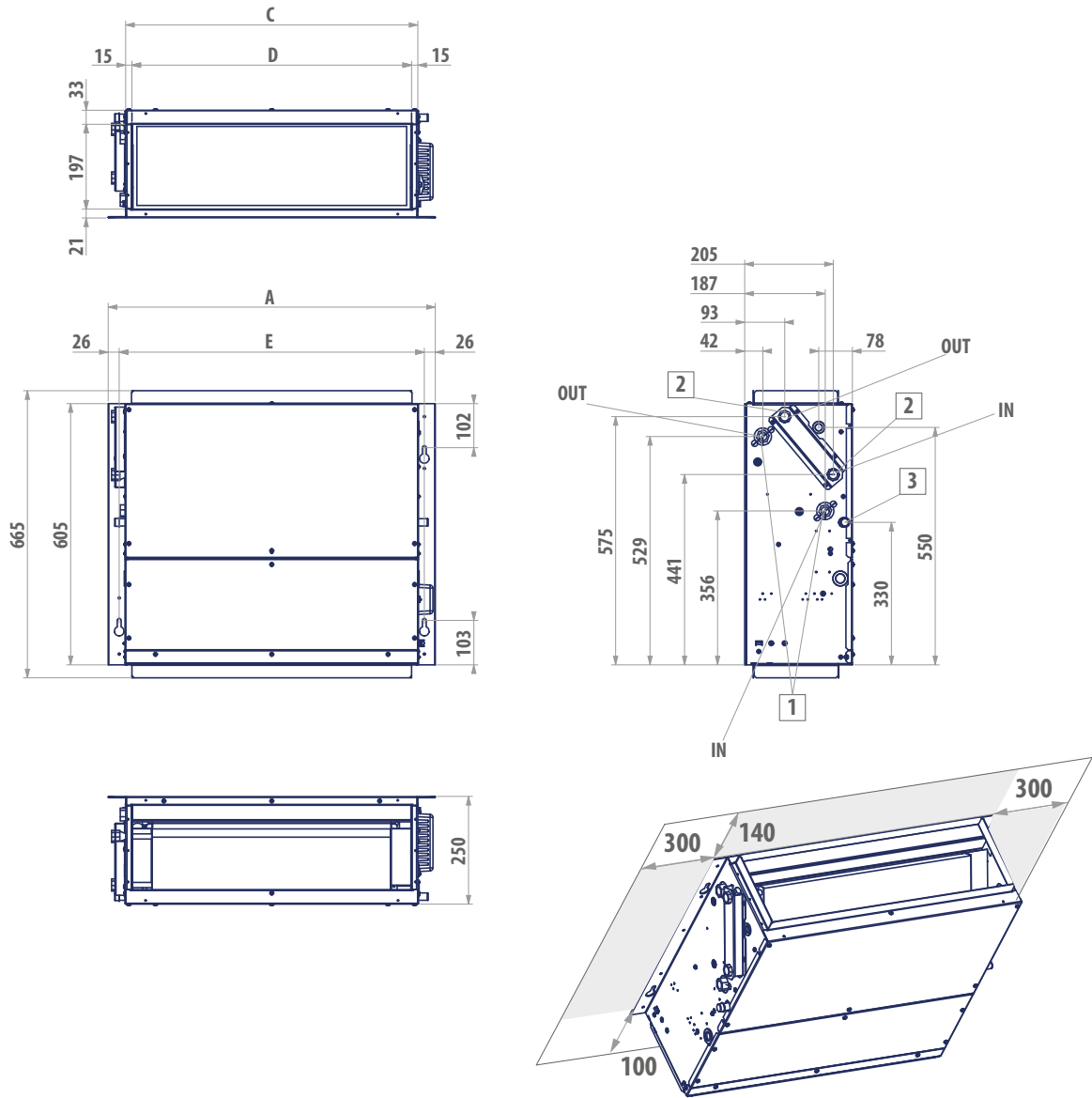


# 8 OVERALL DIMENSIONS

» FWB-C 04-05-06-08

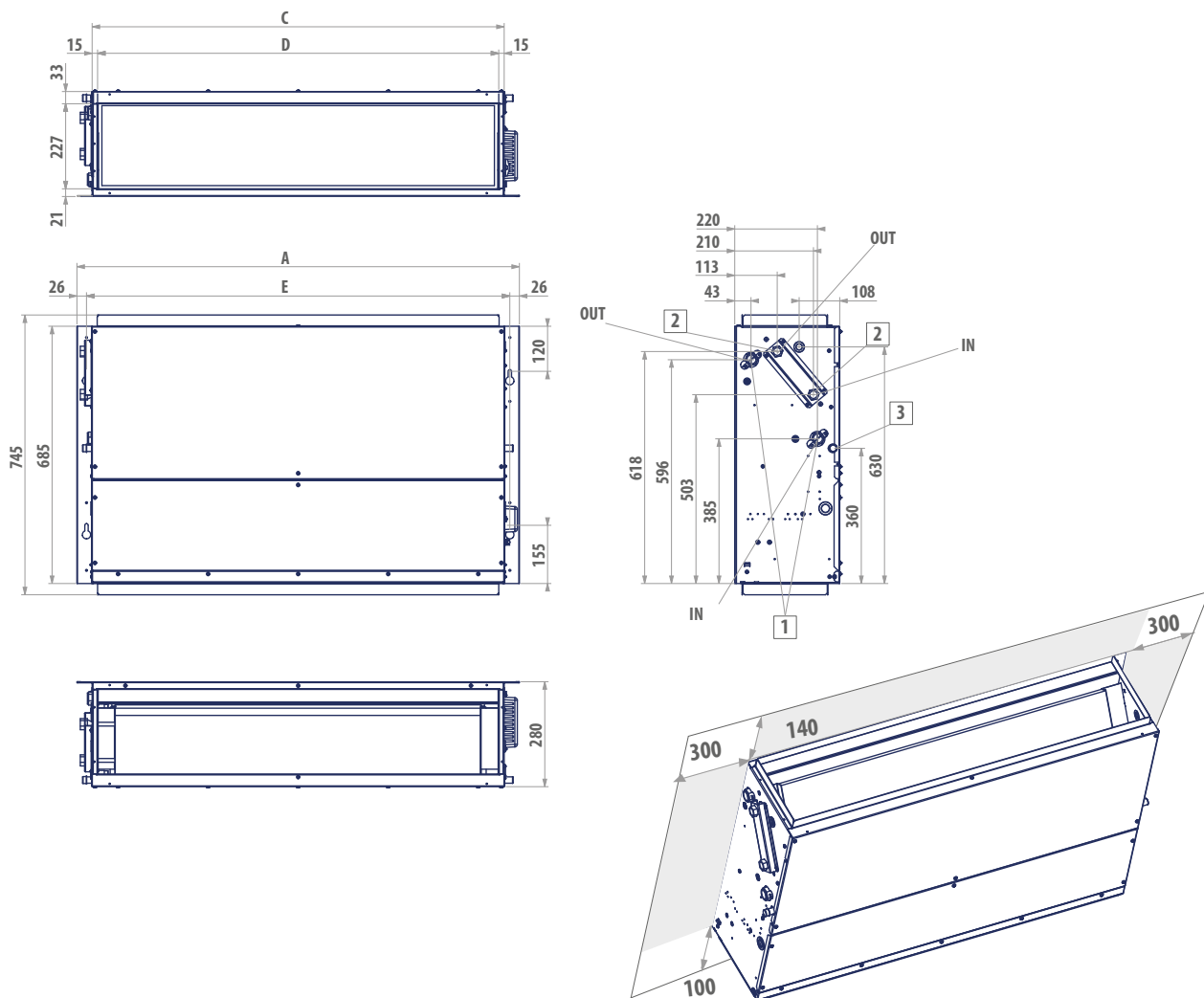


**LEGEND**

- 1** Water connections standard heat exchanger 1/2" female
- 2** Water connections additional heat exchanger 1/2" female
- 3** Condensate discharge diameter  $\varnothing$  17

FWB-C		04	05	06	08
A	mm	758	758	968	968
C	mm	677	677	887	887
D	mm	648	648	858	858
E	mm	707	707	917	917

» FWB-C 10-11-15-17



**LEGEND**

- 1** Standard heat exchanger water connections 3/4" female
- 2** Water connections additional heat exchanger 1/2" female
- 3** Condensate discharge diameter  $\varnothing$  17

FWB-C		10	11	15	17
A	mm	1177	1177	1177	1177
C	mm	1096	1096	1096	1096
D	mm	1066	1066	1066	1066
E	mm	1123	1123	1123	1123