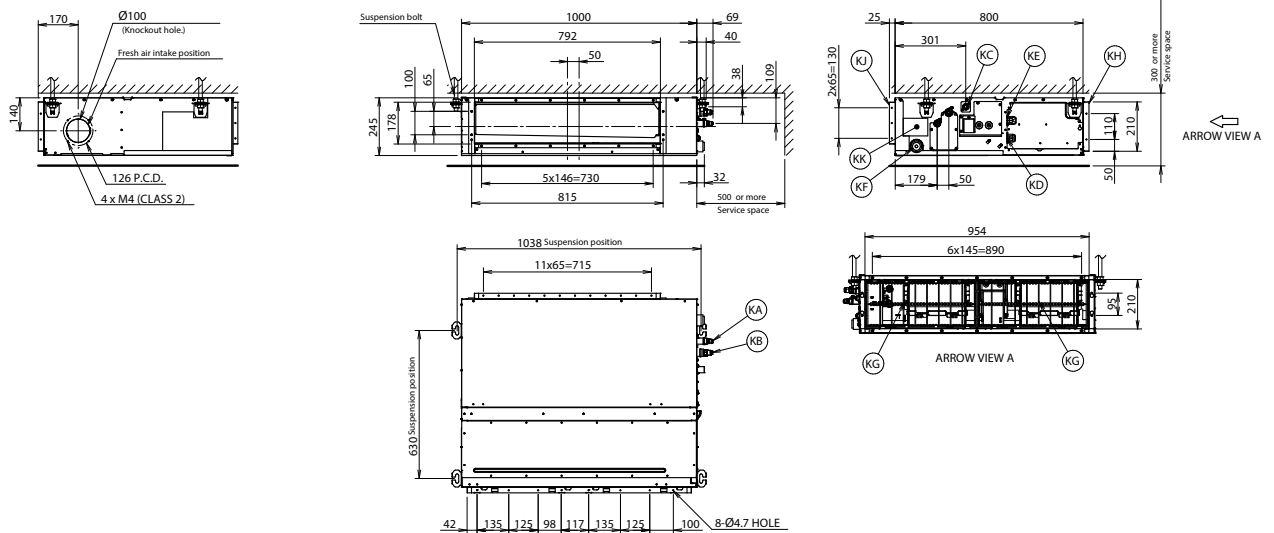




**FBA60A9**

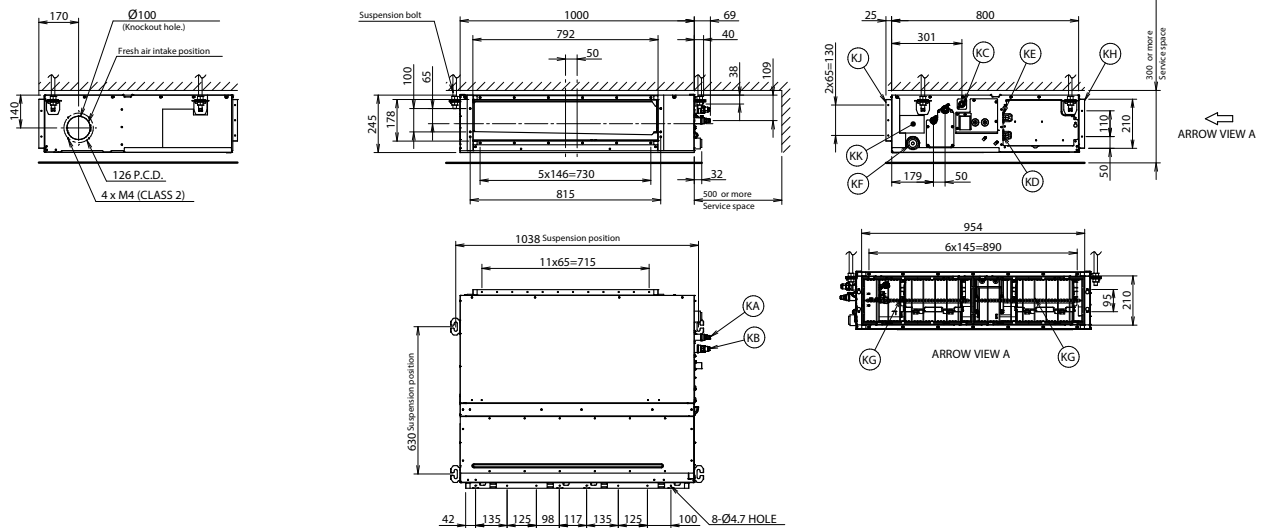


| Item | Name                        | Description              |
|------|-----------------------------|--------------------------|
| KA   | Liquid pipe connection port | Ø6.35 flared connection  |
| KB   | Gas pipe connection port    | Ø12.70 flared connection |
| KC   | Drain pipe connection       | VP20 (OD Ø26, ID Ø20)    |
| KD   | Wiring connection           | /                        |
| KE   | Power supply connection     | /                        |
| KF   | Drain outlet                | VP20 (OD Ø26, ID Ø20)    |
| KG   | Air filter                  | /                        |
| KH   | Air suction side            | /                        |
| KJ   | Air discharge side          | /                        |
| KK   | Nameplate                   | /                        |

Notes  
 1. When installing optional accessories, refer to their respective documentation.  
 2. The ceiling depth varies according to the documentation of the specific system.

**3D094983B**

**FBA71A9**



| Item | Name                        | Description              |
|------|-----------------------------|--------------------------|
| KA   | Liquid pipe connection port | Ø9.52 flared connection  |
| KB   | Gas pipe connection port    | Ø15.90 flared connection |
| KC   | Drain pipe connection       | VP20 (OD Ø26, ID Ø20)    |
| KD   | Wiring connection           | /                        |
| KE   | Power supply connection     | /                        |
| KF   | Drain outlet                | VP20 (OD Ø26, ID Ø20)    |
| KG   | Air filter                  | /                        |
| KH   | Air suction side            | /                        |
| KJ   | Air discharge side          | /                        |
| KK   | Nameplate                   | /                        |

Notes  
 1. When installing optional accessories, refer to their respective documentation.  
 2. The ceiling depth varies according to the documentation of the specific system.

**3D094915B**