

# technical data



**RQ-B8V3B\_RQ-B9W1B**

**Pair, Twin, Triple Application**

air conditioning systems

# Split Sky Air

# TABLE OF CONTENTS

## RQ-B8V3B\_RQ-B9W1B

1	Features .....	2
2	Specifications .....	3
	Nominal Capacity and Nominal Input .....	3
	Technical Specifications .....	4
	Electrical Specifications .....	5
3	Electrical data .....	6
4	Safety device settings .....	9
5	Options .....	10
6	Capacity tables .....	11
	Combination table .....	11
	Cooling capacity tables .....	12
	Cooling capacity tables simultaneous operation .....	18
	Heating capacity tables .....	19
	Heating capacity tables simultaneous operation .....	26
7	Dimensional drawing & centre of gravity .....	27
	Dimensional drawing .....	27
	Centre of gravity .....	29
8	Piping diagram .....	31
9	Wiring diagram .....	33
	Wiring diagram .....	33
	External connection diagram .....	35
10	Sound data .....	36
	Sound pressure spectrum .....	36
	Sound power spectrum .....	38
11	Operation range .....	39

# 1 Features

- Outdoor units for pair, twin, triple, double twin application
- Daikin outdoor units are neat and sturdy and can be mounted easily on a roof or terrace or simply placed against an outside wall.
- Outdoor units are fitted with a scroll compressor, renowned for low noise and high energy efficiency.
- The piping connections can be accessed from underneath, front, side or rear.
- The service valves are hidden inside the casing.
- A special acryl precoated fin for anti-corrosion treatment on the heat exchanger ensures greater resistance against severe weather conditions

1



## 2 Specifications

2-1 NOMINAL CAPACITY AND NOMINAL INPUT				RQ71B8V3B	RQ71B8W1B	RQ100B8V3B	RQ100B8W1B	RQ125B8W1B	
For combination indoor units + outdoor units	Indoor Units			FCQ71B8V3B	FCQ71B8W3B	FCQ100B8V3B	FCQ100B8V3B	FCQ125B8V3B	
Nominal Capacity	Cooling	Standard	kW	7.1	7.1	10	10	12.5	
	Heating	Standard	kW	8	8	11.2	11.2	14.6	
Nominal input	Cooling	Standard	kW	2.72	2.66	3.83	3.56	4.66	
	Heating	Standard	kW	2.85	2.80	3.75	3.66	5.06	
For combination indoor units + outdoor units	EER	Cooling		2.61	2.67	2.61	2.81	2.68	
	COP	Heating		2.81	2.86	2.99	3.06	2.89	
	Energy Labeling Directive	Cooling			D	D	D	C	D
		Heating			D				
	Annual energy consumption	kWh		1360	1330	1915	1780	2330	
Indoor Units				FBQ71B8V3B	FBQ71B8W3B	FBQ100B8V3B	FBQ100B8V3B	FBQ125B8V3B	
Nominal Capacity	Cooling	Standard	kW	7.1	7.1	10	10	12.2	
	Heating	Standard	kW	8	8	11.2	11.2	14.5	
Nominal input	Cooling	Standard	kW	2.79	2.68	3.79	3.6	4.67	
	Heating	Standard	kW	2.49	2.49	3.91	3.87	4.52	
For combination indoor units + outdoor units	EER	Cooling		2.54	2.65	2.64	2.78	2.61	
	COP	Heating		3.21	3.21	2.86	2.89	3.21	
	Energy Labeling Directive	Cooling			E	D	D	C	D
		Heating			C	C	D	D	C
	Annual energy consumption	kWh		1395	1340	1885	1780	2335	
Indoor Units				FHQ71BVV1B	FHQ71BVV1B	FHQ100BVV1B	FHQ100BVV1B	FHQ125BVV1B	
Nominal Capacity	Cooling	Standard	kW	7.1	7.1	9.8	9.8	12.2	
	Heating	Standard	kW	8	8	11.2	11.2	14.5	
Nominal input	Cooling	Standard	kW	2.7	2.65	3.75	3.68	4.51	
	Heating	Standard	kW	2.85	2.8	4.13	4.01	5.16	
For combination indoor units + outdoor units	EER	Cooling		2.63	2.68	2.61	2.66	2.71	
	COP	Heating		2.81	2.86	2.71	2.79	2.81	
	Energy Labeling Directive	Cooling			D				
		Heating			D	D	E	E	D
	Annual energy consumption	kWh		1350	1325	1875	1840	2250	
Indoor Units				FAQ71BVV1B	FAQ71BVV1B	FAQ100BVV1B	FAQ100BVV1B	FUQ125BVV1B	
Nominal Capacity	Cooling	Standard	kW	7.1	7.1	10	10	12.2	
	Heating	Standard	kW	8	8	11.2	11.2	14.5	
Nominal input	Cooling	Standard	kW	2.65	2.53	3.56	3.52	4.57	
	Heating	Standard	kW	2.58	2.49	3.96	3.82	4.88	
For combination indoor units + outdoor units	EER	Cooling		2.68	2.81	2.81	2.84	2.67	
	COP	Heating		3.10	3.21	2.83	2.93	2.97	
	Energy Labeling Directive	Cooling			D	C	C	C	D
		Heating			D	C	D	D	D
	Annual energy consumption	kWh		1325	1265	1780	1760	2285	
Indoor Units				FUQ71BVV1B	FUQ71BVV1B	FUQ100BVV1B	FUQ100BVV1B	FDQ125B8V3B	
Nominal Capacity	Cooling	Standard	kW	7.1	7.1	10	10	12.5	
	Heating	Standard	kW	8	8	11.2	11.2	14.6	
Nominal input	Cooling	Standard	kW	2.7	2.65	3.83	3.78	4.79	
	Heating	Standard	kW	2.53	2.44	3.58	3.54	4.51	
For combination indoor units + outdoor units	EER	Cooling		2.63	2.68	2.61	2.65	2.61	
	COP	Heating		3.16	3.28	3.13	3.16	3.24	
	Energy Labeling Directive	Cooling			D				
		Heating			D	C	D	D	C
	Annual energy consumption	kWh		1350	1325	1915	1890	2395	

## 2 Specifications

2-2 TECHNICAL SPECIFICATIONS				RQ71B8V3B	RQ71B8W1B	RQ100B8V3B	RQ100B8W1B	RQ125B8W1B	
Casing	Colour			Daikin White					
	Material			Painted galvanized steel plate					
Dimensions	Unit	Height	mm	770	770	1170	1170	1170	
		Width	mm	900	900	900	900	900	
		Depth	mm	320	320	320	320	320	
	Packing	Height	mm	900	900	1300	1300	1300	
		Width	mm	980	980	980	980	980	
		Depth	mm	420	420	420	420	420	
Weight	Unit		kg	84	83	103	101	108	
	Packed Unit		kg	88	87	108	106	113	
Heat Exchanger	Dimensions	Length	mm	857	857	857	857	857	
		Nr of Rows			2	2	2	2	2
		Fin Pitch	mm	2.00	2.00	2.00	2.00	2.00	
		Nr of Passes			6	6	10	10	10
		Face Area	m <sup>2</sup>	0.641	0.641	0.980	0.980	0.980	
		Nr of Stages			34	34	52	52	52
	Tube type			Hi-XSS cooling tube					
	Fin	Type			Non-symmetric waffle louver				
		Treatment			Anti-corrosion treatment (PE)				
	Fan	Type			Direct Drive Propeller				
Discharge direction			Horizontal						
Quantity			1	1	1	1	2		
Air Flow Rate (nominal at 230V)		Cooling	m <sup>3</sup> /min	48.0	48.0	55.0	55.0	89.0	
		Heating	m <sup>3</sup> /min	43.0	43.0	50.0	50.0	80.0	
Motor		Quantity		1	1	1	1	1	
		Model		P47L11S					
	Position						Lower		
Motor	Speed (nominal)	Steps	3	3	3	3	3		
Fan	Motor	Output	W	65	65	90	90	85	
		Position						Upper	
Motor	Speed (nominal)	Steps					3		
Fan	Motor	Output	W					65	
Compressor	Quantity			1	1	1	1	1	
	Motor	Model		JT90G-P4V1N@S	JT90G-YE	JT125G-P4V1@S	JT125G-YE	JT160G-YE	
		Type			Hermetically sealed scroll compressor				
		Motor Output	W	2200	2200	3000	3000	3750	
		Crankcase Heater	W	33	33	33	33	33	
Operation Range	Cooling	Min	°CDB	-5.0	-5.0	-5.0	-5.0	-5.0	
		Max	°CDB	46.0	46.0	46.0	46.0	46.0	
	Heating	Min	°CWB	-10	-10	-10	-10	-10	
		Max	°CWB	15	15	15	15	15	
Sound Level (nominal)	Cooling	Sound Power	dB(A)	63.0	63.0	66.0	66.0	67.0	
		Sound Pressure	dB(A)	50.0	50.0	53.0	53.0	53.0	
Refrigerant	Type			R-410A					
	Charge	kg	2.7	2.7	3.7	3.7	3.7		
	Control			Expansion valve (electronic type)					
	Nr of Circuits			1	1	1	1	1	
Refrigerant Oil	Type			Daphne FVC68D					
	Charged Volume	l	1.5	1.5	1.5	1.5	1.5		

## 2 Specifications

2-2 TECHNICAL SPECIFICATIONS			RQ71B8V3B	RQ71B8W1B	RQ100B8V3B	RQ100B8W1B	RQ125B8W1B	
Piping connections	Liquid (OD)	Quantity	1	1	1	1	1	
		Type	Flare connection					
		Diameter (OD) mm	9.52	9.52	9.52	9.52	9.52	
	Gas	Quantity	1	1	1	1	1	
		Type	Flare connection					
		Diameter (OD) mm	15.9	15.9	15.9	15.9	15.9	
	Drain	Quantity	3	3	3	3	3	
		Type	Hole					
		Diameter (OD) mm	26	26	26	26	26	
	Piping Length	Minimum	m	5	5	5	5	5
		Maximum	m	70	70	70	70	70
		Equivalent	m	90	90	90	90	90
		Chargeless	m	30	30	30	30	30
Installation height difference	Maximum	m	30.0	30.0	30.0	30.0	30.0	
	Max. internunit level difference	m	0.5	0.5	0.5	0.5	0.5	
Heat Insulation		Both liquid and gas pipes						
Defrost Method		Reversed cycle						
Defrost Control		Sensor for outdoor heat exchanger temperature						
Capacity Control Method		None						
Safety Devices		Reverse phase protector						
		PC board fuse						
		Overcurrent relay (compressor)						
		Low pressure switch						
		High pressure switch						
		Fan motor thermal protector						
Standard Accessories	Item	Declaration of conformity						
	Quantity	1	1	1	1	1		
	Item	Installation manual						
	Quantity	1	1	1	1	1		
Notes		Sound pressure level is a relative value, depending on the distance and acoustic environment. For more details, please refer to sound level drawings of this chapter.						
		The sound power level is an absolute value indicating the power which a sound source generates.						
		Sound values are measured in a semi-anechoic room.						
		Heating capacity is only applicable for combination with heat pump outdoor unit						
		In case of drain piping for outdoor unit, drain piping kit (option) is needed.						
		Nominal cooling capacities are based on : indoor temperature : 27°CDB, 19°CWB, outdoor temperature : 35°CDB, equivalent refrigerant piping : 7.5m, level difference : 0m.						
		Nominal heating capacities are based on : indoor temperature : 20°CDB, outdoor temperature : 7°CDB, 6°CWB, equivalent refrigerant piping : 7.5m, level difference : 0m						

2-3 ELECTRICAL SPECIFICATIONS			RQ71B8V3B	RQ71B8W1B	RQ100B8V3B	RQ100B8W1B	RQ125B8W1B
Power Supply	Name		V3	W1	V3	W1	W1
	Phase		1	3N	1	3N	3N
	Frequency	Hz	50	50	50	50	50
	Voltage	V	230	400	230	400	400
	Voltage range	Minimum	V	-10%			
		Maximum	V	+10%			
Current	Recommended fuses	A	32	16	40	16	20
Wiring connections	For Power Supply	Quantity	1	1	1	1	1
		Remark	3 wires (earth wire included)	5 wires (earth wire included)	3 wires (earth wire included)	5 wires (earth wire included)	5 wires (earth wire included)
	For connection with indoor	Quantity	1	1	1	1	1
		Remark	4 wires (earth wire included)				
Power Supply Intake		Outdoor unit only					

### 3 Electrical data

3

#### RQ71B

Unit combination		Power supply					Compressor		OFM		IFM		
Indoor unit	Outdoor unit	Hz-Volts	Voltage range		MCA	TOCA	MFA	LRA	RLA	kW	FLA	kW	FLA
FCQ71	RQ71BV3	50-230	Max. 50Hz-253V Min. 50Hz-207V		16.6	23.3	32	75.5	12.2	0.065	0.6	0.045	0.7
FUQ71	RQ71BV3	50-230			16.6	23.2	32	75.5	12.3	0.065	0.6	0.045	0.6
FHQ71	RQ71BV3	50-230			16.8	23.2	32	75.5	12.5	0.065	0.6	0.062	0.6
FAQ71	RQ71BV3	50-230			16.1	22.9	32	75.5	12.2	0.065	0.6	0.043	0.3
FBQ71	RQ71BV3	50-230			17.4	23.5	32	75.5	12.7	0.065	0.6	0.125	0.9
FCQ71	RQ71BW1	50-400/230	Max. 50Hz-440/253V Min. 50Hz-360/207V		7.3	11.3	16	41.1	4.8	0.065	0.6	0.045	0.7
FUQ71	RQ71BW1	50-400/230			7.3	11.2	16	41.1	4.9	0.065	0.6	0.045	0.6
FHQ71	RQ71BW1	50-400/230			7.5	11.2	16	41.1	5.0	0.065	0.6	0.062	0.6
FAQ71	RQ71BW1	50-400/230			6.8	10.9	16	41.1	4.7	0.065	0.6	0.043	0.3
FBQ71	RQ71BW1	50-400/230			8.1	11.5	16	41.1	5.3	0.065	0.6	0.125	0.9

3TW26379-9A

#### SYMBOLS

MCA : Min. Circuit Amps  
 TOCA : Total Over Current Amps  
 MFA : Max. Fuse Amps (see note 7)  
 LRA : Locked Rotor Amps  
 RLA : Rated Load Amps  
 OFM : Outdoor Fan Motor  
 IFM : Indoor Fan Motor  
 FLA : Full Load Amps  
 kW : Fan Motor Rated Output

#### NOTES

1. RLA is based on the following conditions:  
 Indoor temp.: 27°CDB/19.5°CWB  
 Outdoor temp. : 35°CDB
2. TOCA means the total value of each OC set
3. Voltage range  
 Units are suitable for use on electrical systems where voltage supplied to unit terminals is not below or above listed operation range limits
4. Maximum allowable voltage unbalance between phases is 2%.
5. MCA/MFA  
 $MCA = 1.25 \times RLA + \text{all FLA}$ ,  $MFA = < 2.25 \times RLA + \text{all FLA}$   
 (next lower standard fuse rating Min. 16A)
6. Select wire size based on the larger value of MCA or TOCA
7. Instead of fuse, use circuit breaker
8. For more details concerning conditional connections, see <http://extranet.daikineurope.com>, select "E-Data Books".  
 Finally, click on the document title of your choice.

### 3 Electrical data

#### RQ100B

Unit combination		Power supply					Compressor		OFM		IFM			
Indoor unit	Outdoor unit	Hz-Volts	Voltage range			MCA	TOCA	MFA	LRA	RLA	kW	FLA	kW	FLA
FCQ100	RQ100BV3	50-230	Max. 50Hz-253V Min. 50Hz-207V	23.8	34.8	40	98.5	17.6	0.090	0.8	0.090	1.0		
FUQ100	RQ100BV3	50-230		23.3	34.9	40	98.5	17.1	0.090	0.8	0.090	1.1		
FHQ100	RQ100BV3	50-230		25.3	34.5	40	98.5	19.0	0.090	0.8	0.130	0.7		
FAQ100	RQ100BV3	50-230		24.5	34.2	40	98.5	18.6	0.090	0.8	0.049	0.4		
FBQ100	RQ100BV3	50-230		23.2	34.8	40	98.5	17.1	0.090	0.8	0.135	1.0		
FCQ100	RQ100BW1	50-400/230	Max. 50Hz-440/253V Min. 50Hz-360/207V	9.2	11.8	16	48.2	5.9	0.090	0.8	0.090	1.0		
FUQ100	RQ100BW1	50-400/230		8.9	11.9	16	48.2	5.6	0.090	0.8	0.090	1.1		
FHQ100	RQ100BW1	50-400/230		9.4	11.5	16	48.2	6.3	0.090	0.8	0.130	0.7		
FAQ100	RQ100BW1	50-400/230		8.8	11.2	16	48.2	6.1	0.090	0.8	0.049	0.4		
FBQ100	RQ100BW1	50-400/230		8.9	11.8	16	48.2	5.7	0.090	0.8	0.135	1.0		

3TW26349-9B

#### SYMBOLS

- MCA : Min. Circuit Amps
- TOCA : Total Over Current Amps
- MFA : Max. Fuse Amps (see note 7)
- LRA : Locked Rotor Amps
- RLA : Rated Load Amps
- OFM : Outdoor Fan Motor
- IFM : Indoor Fan Motor
- FLA : Full Load Amps
- kW : Fan Motor Rated Output

#### NOTES

1. RLA is based on the following conditions:  
Indoor temp.: 27°CDB/19.5°CWB  
Outdoor temp. : 35°CDB
2. TOCA means the total value of each OC set
3. Voltage range  
Units are suitable for use on electrical systems where voltage supplied to unit terminals is not below or above listed operation range limits
4. Maximum allowable voltage unbalance between phases is 2%.
5. MCA/MFA  
 $MCA = 1.25 \times RLA + \text{all FLA}$ ,  $MFA = < 2.25 \times RLA + \text{all FLA}$   
(next lower standard fuse rating Min. 16A)
6. Select wire size based on the larger value of MCA or TOCA
7. Instead of fuse, use circuit breaker
8. For more details concerning conditional connections, see <http://extranet.daikineurope.com>, select "E-Data Books".  
Finally, click on the document title of your choice.



### 3 Electrical data

3

Unit combination		Power supply					Compressor		OFM		IFM	
Indoor unit	Outdoor unit	Hz-Volts	Voltage range	MCA	TOCA	MFA	LRA	RLA	kW	FLA	kW	FLA
FCQ125	RQ125BW1	50-400/230	Max. 50Hz-440/253V Min. 50Hz-360/207V	12.4	15.3	20	63	8.1	0.065 + 0.085	0.6 + 0.7	0.09	1.0
FUQ125	RQ125BW1	50-400/230		12.2	15.4	20	63	7.8	0.065 + 0.085	0.6 + 0.7	0.09	1.1
FHQ125	RQ125BW1	50-400/230		12.3	15.0	20	63	8.2	0.065 + 0.085	0.6 + 0.7	0.13	0.7
FBQ125	RQ125BW1	50-400/230		12.2	15.7	20	63	7.6	0.065 + 0.085	0.6 + 0.7	0.225	1.4
FDQ125	RQ125BW1	50-400/230		14.9	18.5	20	63	7.5	0.065 + 0.085	0.6 + 0.7	0.5	4.2

3TW26369-9B

#### SYMBOLS

- MCA : Min. Circuit Amps
- TOCA : Total Over Current Amps
- MFA : Max. Fuse Amps (see note 7)
- LRA : Locked Rotor Amps
- RLA : Rated Load Amps
- OFM : Outdoor Fan Motor
- IFM : Indoor Fan Motor
- FLA : Full Load Amps
- kW : Fan Motor Rated Output

#### NOTES

1. RLA is based on the following conditions:  
Indoor temp.: 27°CDB/19.5°CWB  
Outdoor temp. : 35°CDB
2. TOCA means the total value of each OC set
3. Voltage range  
Units are suitable for use on electrical systems where voltage supplied to unit terminals is not below or above listed operation range limits
4. Maximum allowable voltage unbalance between phases is 2%.
5. MCA/MFA  
 $MCA = 1.25 \times RLA + \text{all FLA}$ ,  $MFA = < 2.25 \times RLA + \text{all FLA}$   
(next lower standard fuse rating Min. 16A)
6. Select wire size based on the larger value of MCA or TOCA
7. Instead of fuse, use circuit breaker
8. For more details concerning conditional connections, see <http://extranet.daikineurope.com>, select "E-Data Books".  
Finally, click on the document title of your choice.

## 4 Safety device settings

RR-RQ

Safety device model	RQ71BV3	RQ100BV3	RQ125BW1	RR71BV3	RR100BV3	RR125BW1
	RQ71BW1	RQ100BW1		RR71BW1	RR100BW1	
	REQ71BV3	REQ100BV3	REQ125BW1			
	REQ71BW1	REQ100BW1				
Fan motor thermal protector	Off 135 ±5°C					
	On 95 ±15°C					
HPS	Off 4.15 <sup>+0</sup> / <sub>-0.10</sub> Mpa					
	On 3.2 <sup>+0.15</sup> / <sub>-0.15</sub> Mpa					
LPS	Off -0.03 <sup>+0.02</sup> / <sub>-0.02</sub> Mpa					
	On 0.05 <sup>+0.03</sup> / <sub>-0.03</sub> Mpa					
Max discharge temperature	By thermistor and software control					
Overcurrent relay	By overcurrent sensor and software control					

4TW26321-2B

## 5 Options

5

### Available option for RQ71-125B(V3, W1) and RR71-125B(V3, W1)

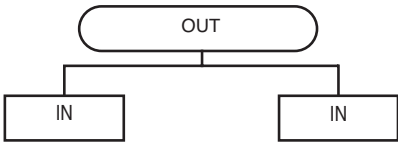
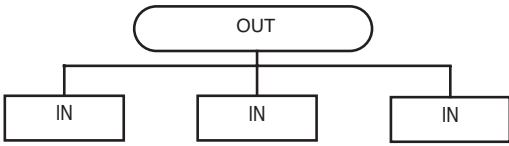
Name of option		Kit name					
		RQ71B	RQ100B	RQ125B	RR71B	RR100B	RR125B
Central drain plug		KKPJ5F180					
Refrigerant branch piping	Twin	KHRQ22M20TA					
	Triple	-	KHRQ127H		-	KHRQ127H	

3TW26329-1A

## 6 Capacity tables

### 6 - 1 Combination table

#### Possible combinations and standard capacity for twin and triple operation

Outdoor models	Possible indoor combination						
	Simultaneous operation						
	Twin			Triple			
							
RQ71BV3/W1 RR71BV3/W1	35-35 (KHRQ22M20TA7)						
RQ100BV3/W1 RR100BV3/W1	50-50 (KHRQ22M20TA7)	50-60 (KHRQ22M20TA7)	35-71 (KHRQ22M20TA7)	35-35-35 (KHRQ127H7)			
RQ125BW1 RR125BW1	60-60 (KHRQ22M20TA7)	50-71 (KHRQ22M20TA7)		50-50-50 (KHRQ127H7)			

- Possible indoor types:  
FCQ 35-71  
FFQ 35-60  
FUQ 71  
FHQ 35-71  
FAQ 71  
FBQ 35-71
- Individual indoor capacities are not given because the combinations are for simultaneous operation (= indoor units installed in same room).
- When different indoor models are used in combination, designate the remote controller that is equipped with the most functions as the main unit.
- Between brackets are the required Refnet kits mentioned, that are necessary to install the combination.
- For unit specification of the outdoor units and the indoor units refer to the unit specifications mentioned for pair systems.
- Nominal cooling capacities are based on the following conditions: indoor air temperature: 27°CDB, 19°CWB, outdoor temperature: 35°CDB.  
Nominal heating capacities are based on the following conditions: indoor air temperature: 20°CDB, outdoor temperature 7°CDB, 6°CWB.

3TW26329-3

# 6 Capacity tables

## 6 - 2 Cooling capacity tables

6

### FAQ71-100B + RQ71-100BV3 / RQ71-100BW1

#### Cooling capacity

Outdoor	Indoor		Outdoor temperature (°CDB)																	
	EWB (°C)	EDB (°C)	20			25			32			35			40			46		
			TC	SHC	PI	TC	SHC	PI	TC	SHC	PI	TC	SHC	PI	TC	SHC	PI	TC	SHC	PI
71	12.0	18.0	6.2	4.9	1.81	6.1	4.8	1.97	5.7	4.7	2.20	5.5	4.6	2.36	5.3	4.5	2.60	4.8	4.1	2.83
	14.0	20.0	6.6	4.9	1.84	6.5	4.8	2.00	6.0	4.7	2.24	5.9	4.6	2.40	5.5	4.5	2.64	5.2	4.1	2.88
	16.0	22.0	7.2	5.0	1.88	7.0	4.9	2.04	6.5	4.8	2.28	6.3	4.7	2.45	6.0	4.6	2.69	5.4	4.2	2.93
	18.0	25.0	7.7	5.2	1.92	7.5	5.0	2.09	7.2	4.9	2.34	6.8	4.8	2.50	6.4	4.6	2.76	5.9	4.4	3.01
	19.0	27.0	8.0	5.3	1.94	7.7	5.2	2.11	7.3	5.0	2.36	7.1	4.8	2.53	6.6	4.7	2.78	6.1	4.5	3.04
	19.5	27.0	8.0	5.3	1.95	7.9	5.2	2.12	7.4	5.0	2.37	7.2	4.8	2.54	6.7	4.7	2.79	6.2	4.5	3.05
	22.0	30.0	8.7	5.4	1.98	8.5	5.3	2.16	8.0	5.2	2.42	7.9	4.9	2.59	7.4	4.8	2.85	6.7	4.5	3.11
	24.0	32.0	9.4	5.4	2.00	9.1	5.3	2.18	8.6	5.2	2.44	8.4	5.0	2.61	8.0	4.8	2.88	7.3	4.5	3.14
100	12.0	18.0	8.4	7.2	2.49	8.3	7.1	2.75	8.1	6.9	3.11	7.8	6.8	3.29	7.5	6.4	3.64	6.8	6.1	4.08
	14.0	20.0	8.9	7.2	2.53	8.8	7.1	2.80	8.7	6.9	3.16	8.4	6.8	3.34	7.8	6.4	3.71	7.4	6.1	4.16
	16.0	22.0	10.1	7.3	2.57	9.8	7.2	2.85	9.1	7.0	3.22	8.9	6.9	3.40	8.5	6.5	3.77	7.7	6.2	4.23
	18.0	25.0	10.8	7.6	2.64	10.5	7.5	2.92	9.8	7.1	3.30	9.6	7.0	3.48	9.0	6.8	3.86	8.3	6.3	4.33
	19.0	27.0	11.1	7.7	2.66	10.8	7.6	2.95	10.1	7.2	3.33	10.0	7.1	3.52	9.4	6.9	3.90	8.6	6.4	4.38
	19.5	27.0	11.2	7.7	2.67	11.0	7.6	2.96	10.3	7.2	3.34	10.1	7.1	3.53	9.5	6.9	3.91	8.7	6.4	4.39
	22.0	30.0	12.2	7.8	2.73	11.8	7.7	3.02	11.2	7.3	3.41	11.0	7.2	3.60	10.4	7.1	3.99	9.5	6.7	4.48
	24.0	32.0	13.0	7.9	2.75	12.7	7.8	3.05	11.9	7.5	3.44	11.6	7.3	3.64	11.1	7.2	4.03	10.2	6.8	4.52

#### SYMBOLS

- FR: Air flow rate [m3/min.]
- BF: Bypass factor
- EWB: Entering wet bulb temp. [°CWB]
- EDB: Entering dry bulb temp. [°CDB]
- DB\*: Dry bulb temp. [°CDB]
- TC: Total capacity cooling [kW]
- SHC: Sensible heat capacity [kW]
- PI: Power input (Comp. + indoor + outdoor fan motor) [kW]

#### CAUTION

- TC and SHC are given in kW.
- V1/V3: 230V [50 Hz]
- W1: 400V [50Hz]

#### NOTES

- 1 Ratings shown are net capacities. Influence on fan motor heat is included.
- 2  shows nominal capacities.
- 3 SHC is based on each EWB and EDB.  
SHC\* = SHC correction for other dry bulb.  
= 0.29 x 60 x AFR [m3/min.] x (1-BF) x (DB\*-EDB)/860  
Add SHC\* to SHC if SHC > TC, then TC = SHC.
- 4 Direct interpolation is permissible. Do not extrapolate.
- 5 Capacities are based on the following conditions.  
Corresponding refrigerant piping length: 7.5m  
Level difference: 0m
- 6 Air flow rate and BF are tabulated below.

Model	FAQ	
71	AFR	19
	BF	0.08
100	AFR	23
	BF	0.1

- 7 Add the following corrections to power input of each model.

Model	FAQ	
71	V3	0.12
	W1	0
100	V3	0.04
	W1	0

3TW26322-5

# 6 Capacity tables

## 6 - 2 Cooling capacity tables

### FHQ71-125B + RQ71-100BV3 / RQ71-125BW1

#### Cooling capacity

Outdoor	Indoor		Outdoor temperature (°CDB)																	
	EWB (°C)	EDB (°C)	20			25			32			35			40			46		
			TC	SHC	PI	TC	SHC	PI	TC	SHC	PI	TC	SHC	PI	TC	SHC	PI	TC	SHC	PI
71	12.0	18.0	6.2	4.8	1.90	6.1	4.7	2.06	5.7	4.6	2.31	5.5	4.5	2.47	5.3	4.4	2.72	4.8	4.0	2.97
	14.0	20.0	6.6	4.8	1.93	6.5	4.7	2.10	6.0	4.6	2.35	5.9	4.5	2.52	5.5	4.4	2.77	5.2	4.0	3.02
	16.0	22.0	7.2	4.9	1.96	7.0	4.8	2.13	6.5	4.7	2.39	6.3	4.6	2.56	6.0	4.5	2.82	5.4	4.1	3.07
	18.0	25.0	7.7	5.1	2.01	7.5	4.9	2.19	7.2	4.8	2.45	6.8	4.7	2.62	6.4	4.5	2.89	5.9	4.3	3.15
	19.0	27.0	8.0	5.2	2.03	7.7	5.1	2.21	7.3	4.9	2.47	7.1	4.7	2.65	6.6	4.6	2.92	6.1	4.4	3.18
	19.5	27.0	8.0	5.2	2.04	7.9	5.1	2.22	7.4	4.9	2.48	7.2	4.7	2.66	6.7	4.6	2.92	6.2	4.4	3.19
	22.0	30.0	8.7	5.3	2.08	8.5	5.2	2.26	8.0	5.1	2.53	7.9	4.8	2.71	7.4	4.7	2.98	6.7	4.4	3.25
	24.0	32.0	9.4	5.3	2.10	9.1	5.2	2.28	8.6	5.1	2.56	8.4	4.9	2.74	8.0	4.7	3.01	7.3	4.4	3.29
100	12.0	18.0	8.2	6.8	2.60	8.1	6.7	2.88	7.9	6.5	3.25	7.6	6.4	3.43	7.3	6.0	3.81	6.6	5.7	4.27
	14.0	20.0	8.7	6.8	2.65	8.6	6.7	2.93	8.5	6.5	3.31	8.2	6.4	3.50	7.6	6.0	3.87	7.2	5.7	4.35
	16.0	22.0	9.9	6.9	2.69	9.6	6.8	2.98	8.9	6.6	3.37	8.7	6.5	3.56	8.3	6.1	3.94	7.5	5.8	4.42
	18.0	25.0	10.6	7.2	2.76	10.3	7.1	3.05	9.6	6.7	3.45	9.4	6.6	3.64	8.8	6.4	4.04	8.1	5.9	4.53
	19.0	27.0	10.9	7.3	2.78	10.6	7.2	3.08	9.9	6.8	3.48	9.8	6.7	3.68	9.2	6.5	4.08	8.4	6.0	4.58
	19.5	27.0	11.0	7.3	2.79	10.8	7.2	3.09	10.1	6.8	3.49	9.9	6.7	3.69	9.3	6.5	4.09	8.5	6.0	4.59
	22.0	30.0	12.0	7.4	2.85	11.6	7.3	3.16	11.0	6.9	3.56	10.8	6.8	3.77	10.2	6.7	4.17	9.3	6.3	4.68
	24.0	32.0	12.8	7.5	2.88	12.5	7.4	3.19	11.7	7.1	3.60	11.4	6.9	3.80	10.9	6.8	4.21	10.0	6.4	4.73
125	12.0	18.0	11.1	9.1	3.39	10.8	8.8	3.57	10.0	8.3	3.93	9.7	8.2	4.21	9.2	8.0	4.67	8.5	7.5	5.12
	14.0	20.0	11.8	9.1	3.45	11.4	8.8	3.64	10.7	8.3	4.00	10.4	8.2	4.28	9.8	8.0	4.75	9.1	7.5	5.21
	16.0	22.0	12.7	9.2	3.51	12.1	8.9	3.70	11.4	8.4	4.07	11.1	8.3	4.36	10.4	8.1	4.84	9.6	7.6	5.31
	18.0	25.0	13.3	9.5	3.59	13.0	9.1	3.79	12.1	8.7	4.17	11.8	8.6	4.46	11.2	8.3	4.95	10.3	7.9	5.43
	19.0	27.0	13.6	9.6	3.63	13.3	9.1	3.83	12.7	8.8	4.21	12.2	8.6	4.51	11.5	8.4	5.00	10.7	8.0	5.49
	19.5	27.0	13.8	9.6	3.64	13.5	9.1	3.84	12.8	8.8	4.23	12.4	8.7	4.53	11.7	8.4	5.02	10.9	8.0	5.51
	22.0	30.0	15.1	9.7	3.71	14.6	9.4	3.92	13.7	9.0	4.31	13.4	8.9	4.62	12.9	8.7	5.12	11.9	8.2	5.62
	24.0	32.0	15.9	9.8	3.75	15.5	9.5	3.96	14.6	9.1	4.35	14.3	9.0	4.66	13.6	8.8	5.17	12.8	8.5	5.67

#### SYMBOLS

- AFR: Air flow rate [m3/min.]
- BF: Bypass factor
- EWB: Entering wet bulb temp. [°CWB]
- EDB: Entering dry bulb temp. [°CDB]
- DB\*: Dry bulb temp. [°CDB]
- TC: Total capacity cooling [kW]
- SHC: Sensible heat capacity [kW]
- PI: Power input (Comp. + indoor + outdoor fan motor) [kW]

#### CAUTION

- TC and SHC are given in kW.
- V1/V3: 230V [50 Hz]
- W1: 400V [50Hz]

#### NOTES

- 1 Ratings shown are net capacities. Influence on fan motor heat is included.
- 2  shows nominal capacities.
- 3 SHC is based on each EWB and EDB.  
SHC\* = SHC correction for other dry bulb.  
= 0.29 x 60 x AFR [m3/min.] x (1-BF) x (DB\*-EDB)/860  
Add SHC\* to SHC if SHC > TC, then TC = SHC.
- 4 Direct interpolation is permissible. Do not extrapolate.
- 5 Capacities are based on the following conditions.  
Corresponding refrigerant piping length: 7.5m  
Level difference: 0m
- 6 Air flow rate and BF are tabulated below.

Model		FAQ
71	AFR	18
	BF	0.1
100	AFR	24
	BF	0.14
125	AFR	30
	BF	0.13

- 7 Add the following corrections to power input of each model.

Model		FAQ
71	V3	0.05
	W1	0
100	V3	0.07
	W1	0
125	W1	0

3TW26322-3

# 6 Capacity tables

## 6 - 2 Cooling capacity tables

### FUQ71-125B + RQ71-100BV3/ RQ71-125BW1

#### Cooling capacity table

Outdoor	Indoor		Outdoor temp. (°CDB)																	
	EWB (°C)	EDB (°C)	20			25			32			35			40			46		
			TC	SHC	PI	TC	SHC	PI	TC	SHC	PI	TC	SHC	PI	TC	SHC	PI	TC	SHC	PI
71	12.0	18.0	6.2	4.9	1.90	6.1	4.8	2.06	5.7	4.7	2.31	5.5	4.6	2.47	5.3	4.5	2.72	4.8	4.1	2.97
	14.0	20.0	6.6	4.9	1.93	6.5	4.8	2.10	6.0	4.7	2.35	5.9	4.6	2.52	5.5	4.5	2.77	5.2	4.1	3.02
	16.0	22.0	7.2	5.0	1.96	7.0	4.9	2.13	6.5	4.8	2.39	6.3	4.7	2.56	6.0	4.6	2.82	5.4	4.2	3.07
	18.0	25.0	7.7	5.2	2.01	7.5	5.0	2.19	7.2	4.9	2.45	6.8	4.8	2.62	6.4	4.6	2.89	5.9	4.4	3.15
	19.0	27.0	8.0	5.3	2.03	7.7	5.2	2.21	7.3	5.0	2.47	7.1	4.8	2.65	6.6	4.7	2.92	6.1	4.5	3.18
	19.5	27.0	8.0	5.3	2.04	7.9	5.2	2.22	7.4	5.0	2.48	7.2	4.8	2.66	6.7	4.7	2.92	6.2	4.5	3.19
	22.0	30.0	8.7	5.4	2.08	8.5	5.3	2.26	8.0	5.2	2.53	7.9	4.9	2.71	7.4	4.8	2.98	6.7	4.5	3.25
24.0	32.0	9.4	5.4	2.10	9.1	5.3	2.28	8.6	5.2	2.56	8.4	5.0	2.74	8.0	4.8	3.01	7.3	4.5	3.29	
100	12.0	18.0	8.4	7.2	2.67	8.3	7.1	2.96	8.1	6.9	3.34	7.8	6.8	3.53	7.5	6.4	3.91	6.8	6.1	4.39
	14.0	20.0	8.9	7.2	2.72	8.8	7.1	3.01	8.7	6.9	3.40	8.4	6.8	3.59	7.8	6.4	3.98	7.4	6.1	4.46
	16.0	22.0	10.1	7.3	2.77	9.8	7.2	3.06	9.1	7.0	3.46	8.9	6.9	3.65	8.5	6.5	4.05	7.7	6.2	4.54
	18.0	25.0	10.8	7.6	2.83	10.5	7.5	3.14	9.8	7.1	3.54	9.6	7.0	3.74	9.0	6.8	4.15	8.3	6.3	4.65
	19.0	27.0	11.1	7.7	2.86	10.8	7.6	3.17	10.1	7.2	3.58	10.0	7.1	3.78	9.4	6.9	4.19	8.6	6.4	4.70
	19.5	27.0	11.2	7.7	2.87	11.0	7.6	3.18	10.3	7.2	3.59	10.1	7.1	3.79	9.5	6.9	4.20	8.7	6.4	4.72
	22.0	30.0	12.2	7.8	2.93	11.8	7.7	3.24	11.2	7.3	3.66	11.0	7.2	3.87	10.4	7.1	4.29	9.5	6.7	4.81
24.0	32.0	13.0	7.9	2.96	12.7	7.8	3.27	11.9	7.5	3.69	11.6	7.3	3.91	11.1	7.2	4.33	10.2	6.8	4.86	
125	12.0	18.0	11.1	9.5	3.43	10.8	9.2	3.62	10.0	8.7	3.98	9.7	8.6	4.27	9.2	8.4	4.73	8.5	7.9	5.19
	14.0	20.0	11.8	9.5	3.49	11.4	9.2	3.68	10.7	8.7	4.06	10.4	8.6	4.34	9.8	8.4	4.82	9.1	7.9	5.28
	16.0	22.0	12.7	9.6	3.56	12.1	9.3	3.75	11.4	8.8	4.13	11.1	8.7	4.42	10.4	8.5	4.90	9.6	8.0	5.38
	18.0	25.0	13.3	9.9	3.64	13.0	9.5	3.84	12.1	9.1	4.23	11.8	9.0	4.52	11.2	8.7	5.02	10.3	8.3	5.51
	19.0	27.0	13.6	10.0	3.68	13.3	9.5	3.88	12.7	9.2	4.27	12.2	9.0	4.57	11.5	8.8	5.07	10.7	8.4	5.56
	19.5	27.0	13.8	10.0	3.69	13.5	9.5	3.89	12.8	9.2	4.28	12.4	9.1	4.59	11.7	8.8	5.09	10.9	8.4	5.58
	22.0	30.0	15.1	10.1	3.76	14.6	9.8	3.97	13.7	9.4	4.37	13.4	9.3	4.68	12.9	9.1	5.19	11.9	8.6	5.69
24.0	32.0	15.9	10.2	3.80	15.5	9.9	4.01	14.6	9.5	4.41	14.3	9.4	4.72	13.6	9.2	5.24	12.8	8.9	5.75	

3TW26322-4A

#### SYMBOLS

AFR:	Air flow rate	(m <sup>3</sup> /min)
BF:	Bypass factor	
EWB:	Entering wet bulb temp.	(°CWB)
EDB:	Entering dry bulb temp.	(°CDB)
DB*:	Dry bulb temp.	(°CDB)
TC:	Total cooling/heating capacity	(kW)
SHC:	Sensible heating capacity	(kW)
PI:	Power input	(kW)
	(comp.+indoor+outdoor fan motor)	

#### Caution:

TC and SHC are shown by kW  
 V1/V3: 230 V [50 Hz]  
 W1: 400 V [50 Hz]

#### NOTES

- Ratings shown are net capacities. Influence of fan motor heat is included.
- Shows nominal capacities
- SHC is based on each EWB and EDB  
 $SHC^* = SHC \text{ correction for other dry bulb}$   
 $SHC^* = 0.29 \times 60 \times AFR \text{ (m}^3\text{/min.)} \times (1-BF) \times (DB^*-EDB)/860$   
 Add SHC\* to SHC if SHC > TC, then TC equal SHC
- Direct interpolation is permissible. Do not extrapolate.
- Capacities are based on following conditions:  
 Corresponding refrigerant piping length : 7.5 m  
 Level difference : 0 m
- Air flow rate and BF are tabulated below.

Model		FUQ
71	AFR	19
	BF	0.07
100	AFR	29
	BF	0.07
125	AFR	45
	BF	0.25

- Add the following corrections to power input of each model.

Model	Supply	FUQ
71	V3	0.05
	W1	0
100	V3	0.05
	W1	0
125	W1	0

# 6 Capacity tables

## 6 - 2 Cooling capacity tables

### FBQ71-125B + RQ71-100BV3/ RQ71-125BW1

#### Cooling capacity table

Outdoor	Indoor		Outdoor temp. (°CDB)																	
	EWB (°C)	EDB (°C)	20			25			32			35			40			46		
			TC	SHC	PI	TC	SHC	PI	TC	SHC	PI	TC	SHC	PI	TC	SHC	PI	TC	SHC	PI
71	12.0	18.0	6.2	4.8	1.92	6.1	4.7	2.08	5.7	4.6	2.33	5.5	4.5	2.50	5.3	4.4	2.75	4.8	4.0	3.00
	14.0	20.0	6.6	4.8	1.95	6.5	4.7	2.12	6.0	4.6	2.38	5.9	4.5	2.55	5.5	4.4	2.80	5.2	4.0	3.06
	16.0	22.0	7.2	4.9	1.99	7.0	4.8	2.16	6.5	4.7	2.42	6.3	4.6	2.59	6.0	4.5	2.85	5.4	4.1	3.11
	18.0	25.0	7.7	5.1	2.03	7.5	4.9	2.21	7.2	4.8	2.48	6.8	4.7	2.65	6.4	4.5	2.92	5.9	4.3	3.18
	19.0	27.0	8.0	5.2	2.05	7.7	5.1	2.23	7.3	4.9	2.50	7.1	4.7	2.68	6.6	4.6	2.95	6.1	4.4	3.22
	19.5	27.0	8.0	5.2	2.06	7.9	5.1	2.24	7.4	4.9	2.51	7.2	4.7	2.69	6.7	4.6	2.96	6.2	4.4	3.23
	22.0	30.0	8.7	5.3	2.10	8.5	5.2	2.29	8.0	5.1	2.56	7.9	4.8	2.74	7.4	4.7	3.02	6.7	4.4	3.29
24.0	32.0	9.4	5.3	2.12	9.1	5.2	2.31	8.6	5.1	2.58	8.4	4.9	2.77	8.0	4.7	3.05	7.3	4.4	3.32	
100	12.0	18.0	8.4	7.0	2.54	8.3	6.9	2.82	8.1	6.7	3.18	7.8	6.6	3.36	7.5	6.2	3.72	6.8	5.9	4.18
	14.0	20.0	8.9	7.0	2.59	8.8	6.9	2.87	8.7	6.7	3.24	8.4	6.6	3.42	7.8	6.2	3.79	7.4	5.9	4.25
	16.0	22.0	10.1	7.1	2.63	9.8	7.0	2.92	9.1	6.8	3.29	8.9	6.7	3.48	8.5	6.3	3.86	7.7	6.0	4.33
	18.0	25.0	10.8	7.4	2.70	10.5	7.3	2.99	9.8	6.9	3.37	9.6	6.8	3.56	9.0	6.6	3.95	8.3	6.1	4.43
	19.0	27.0	11.1	7.5	2.72	10.8	7.4	3.02	10.1	7.0	3.41	10.0	6.9	3.60	9.4	6.7	3.99	8.6	6.2	4.48
	19.5	27.0	11.2	7.5	2.73	11.0	7.4	3.03	10.3	7.0	3.42	10.1	6.9	3.61	9.5	6.7	4.00	8.7	6.2	4.49
	22.0	30.0	12.2	7.6	2.79	11.8	7.5	3.09	11.2	7.1	3.48	11.0	7.0	3.68	10.4	6.9	4.08	9.5	6.5	4.58
24.0	32.0	13.0	7.7	2.82	12.7	7.6	3.12	11.9	7.3	3.52	11.6	7.1	3.72	11.1	7.0	4.12	10.2	6.6	4.62	
125	12.0	18.0	11.1	9.1	3.51	10.8	8.8	3.70	10.0	8.3	4.07	9.7	8.2	4.36	9.2	8.0	4.84	8.5	7.5	5.30
	14.0	20.0	11.8	9.1	3.57	11.4	8.8	3.77	10.7	8.3	4.14	10.4	8.2	4.44	9.8	8.0	4.92	9.1	7.5	5.40
	16.0	22.0	12.7	9.2	3.63	12.1	8.9	3.83	11.4	8.4	4.22	11.1	8.3	4.51	10.4	8.1	5.01	9.6	7.6	5.49
	18.0	25.0	13.3	9.5	3.72	13.0	9.1	3.92	12.1	8.7	4.32	11.8	8.6	4.62	11.2	8.3	5.13	10.3	7.9	5.63
	19.0	27.0	13.6	9.6	3.76	13.3	9.1	3.96	12.7	8.8	4.36	12.2	8.6	4.67	11.5	8.4	5.18	10.7	8.0	5.68
	19.5	27.0	13.8	9.6	3.77	13.5	9.1	3.98	12.8	8.8	4.38	12.4	8.7	4.69	11.7	8.4	5.20	10.9	8.0	5.70
	22.0	30.0	15.1	9.7	3.85	14.6	9.4	4.06	13.7	9.0	4.46	13.4	8.9	4.78	12.9	8.7	5.30	11.9	8.2	5.82
24.0	32.0	15.9	9.8	3.88	15.5	9.5	4.10	14.6	9.1	4.51	14.3	9.0	4.83	13.6	8.8	5.35	12.8	8.5	5.87	

3TW26322-2A

#### SYMBOLS

AFR:	Air flow rate	(m <sup>3</sup> /min)
BF:	Bypass factor	
EWB:	Entering wet bulb temp.	(°CWB)
EDB:	Entering dry bulb temp.	(°CDB)
DB*:	Dry bulb temp.	(°CDB)
TC:	Total cooling/heating capacity	(kW)
SHC:	Sensible heating capacity	(kW)
PI:	Power input	(kW)
	(comp.+indoor+outdoor fan motor)	

#### Caution:

TC and SHC are shown by kW  
 V3: 230 V [50 Hz]  
 W1: 400 V [50 Hz]

#### NOTES

- Ratings shown are net capacities. Influence of fan motor heat is included.
- Shows nominal capacities
- SHC is based on each EWB and EDB  
 $SHC^* = SHC$  correction for other dry bulb  
 $SHC^* = 0.29 \times 60 \times AFR (m^3/min.) \times (1-BF) \times (DB^*-EDB)/860$   
 Add SHC\* to SHC if SHC > TC, then TC equal SHC
- Direct interpolation is permissible. Do not extrapolate.
- Capacities are based on following conditions:  
 Corresponding refrigerant piping length : 7.5 m  
 Level difference : 0 m
- Air flow rate and BF are tabulated below.

Model		FBQ
71	AFR	19
	BF	0.11
100	AFR	27
	BF	0.2
125	AFR	35
	BF	0.14

- Add the following corrections to power input of each model.

Model	Supply	FBQ
71	V3	0.11
	W1	0
100	V3	0.19
	W1	0
125	W1	0



# 6 Capacity tables

## 6 - 2 Cooling capacity tables

6

### FCQ71-125B + RQ71-100BV3 / RQ71-100BW1

#### Cooling capacity

Outdoor	Indoor		Outdoor temperature (°CDB)																	
	EWB (°C)	EDB (°C)	20			25			32			35			40			46		
			TC	SHC	PI	TC	SHC	PI	TC	SHC	PI	TC	SHC	PI	TC	SHC	PI	TC	SHC	PI
71	12.0	18.0	6.2	4.8	1.90	6.1	4.7	2.07	5.7	4.6	2.32	5.5	4.5	2.48	5.3	4.4	2.73	4.8	4.0	2.98
	14.0	20.0	6.6	4.8	1.94	6.5	4.7	2.11	6.0	4.6	2.36	5.9	4.5	2.53	5.5	4.4	2.78	5.2	4.0	3.03
	16.0	22.0	7.2	4.9	1.97	7.0	4.8	2.14	6.5	4.7	2.40	6.3	4.6	2.57	6.0	4.5	2.83	5.4	4.1	3.09
	18.0	25.0	7.7	5.1	2.02	7.5	4.9	2.19	7.2	4.8	2.46	6.8	4.7	2.63	6.4	4.5	2.90	5.9	4.3	3.16
	19.0	27.0	8.0	5.2	2.04	7.7	5.1	2.22	7.3	4.9	2.48	7.1	4.7	2.66	6.6	4.6	2.93	6.1	4.4	3.19
	19.5	27.0	8.0	5.2	2.05	7.9	5.1	2.22	7.4	4.9	2.49	7.2	4.7	2.67	6.7	4.6	2.94	6.2	4.4	3.20
	22.0	30.0	8.7	5.3	2.09	8.5	5.2	2.27	8.0	5.1	2.54	7.9	4.8	2.72	7.4	4.7	2.99	6.7	4.4	3.27
	24.0	32.0	9.4	5.3	2.11	9.1	5.2	2.29	8.6	5.1	2.57	8.4	4.9	2.75	8.0	4.7	3.02	7.3	4.4	3.30
100	12.0	18.0	8.4	7.0	2.51	8.3	6.9	2.78	8.1	6.7	3.14	7.8	6.6	3.32	7.5	6.2	3.68	6.8	5.9	4.13
	14.0	20.0	8.9	7.0	2.56	8.8	6.9	2.83	8.7	6.7	3.20	8.4	6.6	3.38	7.8	6.2	3.75	7.4	5.9	4.20
	16.0	22.0	10.1	7.1	2.60	9.8	7.0	2.88	9.1	6.8	3.26	8.9	6.7	3.44	8.5	6.3	3.81	7.7	6.0	4.28
	18.0	25.0	10.8	7.4	2.67	10.5	7.3	2.95	9.8	6.9	3.33	9.6	6.8	3.52	9.0	6.6	3.94	8.3	6.1	4.38
	19.0	27.0	11.1	7.5	2.69	10.8	7.4	2.98	10.1	7.0	3.37	10.0	6.9	3.56	9.4	6.7	3.94	8.6	6.2	4.43
	19.5	27.0	11.2	7.5	2.70	11.0	7.4	2.99	10.3	7.0	3.38	10.1	6.9	3.57	9.5	6.7	3.96	8.7	6.2	4.44
	22.0	30.0	12.2	7.6	2.76	11.8	7.5	3.05	11.2	7.1	3.45	11.0	7.0	3.64	10.4	6.9	4.04	9.5	6.5	4.53
	24.0	32.0	13.0	7.7	2.78	12.7	7.6	3.08	11.9	7.3	3.48	11.6	7.1	3.68	11.1	7.0	4.08	10.2	6.6	4.57
125	12.0	18.0	11.4	9.3	3.50	11.1	9.0	3.69	10.3	8.5	4.06	10.0	8.4	4.35	9.5	8.2	4.83	8.8	7.7	5.29
	14.0	20.0	12.1	9.3	3.56	11.7	9.0	3.76	11.0	8.5	4.14	10.7	8.4	4.43	10.1	8.2	4.91	9.4	7.7	5.39
	16.0	22.0	13.0	9.4	3.63	12.4	9.1	3.82	11.7	8.6	4.21	11.4	8.5	4.50	10.7	8.3	5.00	9.9	7.8	5.48
	18.0	25.0	13.6	9.7	3.71	13.3	9.3	3.92	12.4	8.9	4.31	12.1	8.8	4.61	11.5	8.5	5.12	10.6	8.1	5.61
	19.0	27.0	13.9	9.8	3.75	13.6	9.3	3.95	13.0	9.0	4.35	12.5	8.8	4.66	11.8	8.6	5.17	11.0	8.2	5.67
	19.5	27.0	14.1	9.8	3.76	13.8	9.3	3.97	13.1	9.0	4.37	12.7	8.9	4.68	12.0	8.6	5.19	11.2	8.2	5.69
	22.0	30.0	15.4	9.9	3.84	14.9	9.6	4.05	14.0	9.2	4.46	13.7	9.1	4.77	13.2	8.9	5.29	12.2	8.4	5.80
	24.0	32.0	16.2	10.0	3.88	15.8	9.7	4.09	14.9	9.3	4.50	14.6	9.2	4.82	13.9	9.0	5.34	13.1	8.7	5.86

#### SYMBOLS

- AFR: Air flow rate [m3/min.]
- BF: Bypass factor
- EWB: Entering wet bulb temp. [°CWB]
- EDB: Entering dry bulb temp. [°CDB]
- DB\*: Dry bulb temp. [°CDB]
- TC: Total capacity cooling [kW]
- SHC: Sensible heat capacity [kW]
- PI: Power input (Comp. + indoor + outdoor fan motor) [kW]

#### CAUTION

- TC and SHC are given in kW.
- V1/V3: 230V [50 Hz]
- W1: 400V [50Hz]

#### NOTES

- 1 Ratings shown are net capacities. Influence on fan motor heat is included.
- 2   shows nominal capacities.
- 3 SHC is based on each EWB and EDB.  
SHC\* = SHC correction for other dry bulb.  
= 0.29 x 60 x AFR [m3/min.] x (1-BF) x (DB\*-EDB)/860  
Add SHC\* to SHC if SHC > TC, then TC = SHC.
- 4 Direct interpolation is permissible. Do not extrapolate.
- 5 Capacities are based on the following conditions.  
Corresponding refrigerant piping length: 7.5m  
Level difference: 0m
- 6 Air flow rate and BF are tabulated below.

Model	FAQ	
71	AFR	18
	BF	0.1
100	AFR	28
	BF	0.16
125	AFR	32
	BF	0.07

- 7 Add the following corrections to power input of each model.

Model	FAQ	
71	V3	0.06
	W1	0
100	V3	0.27
	W1	0
125	W1	0

3TW26322-1

# 6 Capacity tables

## 6 - 2 Cooling capacity tables

### FDQ125B + RQ125BW1

#### Cooling capacity

Outdoor	Indoor		Outdoor temperature (°CDB)																	
	EWB (°C)	EDB (°C)	20			25			32			35			40			46		
			TC	SHC	PI	TC	SHC	PI	TC	SHC	PI	TC	SHC	PI	TC	SHC	PI	TC	SHC	PI
125	12.0	18.0	11.4	10.7	3.60	11.1	10.4	3.79	10.3	9.9	4.18	10.0	9.8	4.47	9.5	9.6	4.96	8.8	9.1	5.44
	14.0	20.0	12.1	10.7	3.66	11.7	10.4	3.86	11.0	9.9	4.25	10.7	9.8	4.55	10.1	9.6	5.05	9.4	9.1	5.54
	16.0	22.0	13.0	10.8	3.73	12.4	10.5	3.93	11.7	10.0	4.33	11.4	9.9	4.63	10.7	9.7	5.14	9.9	9.2	5.64
	18.0	25.0	13.6	11.1	3.82	13.3	10.7	4.02	12.4	10.3	4.43	12.1	10.2	4.74	11.5	9.9	5.26	10.6	9.5	5.77
	19.0	27.0	13.9	11.2	3.86	13.6	10.7	4.07	13.0	10.4	4.47	12.5	10.2	4.79	11.8	10.0	5.32	11.0	9.6	5.83
	19.5	27.0	14.1	11.2	3.87	13.8	10.7	4.08	13.1	10.4	4.49	12.7	10.3	4.81	12.0	10.0	5.33	11.2	9.6	5.85
	22.0	30.0	15.4	11.3	3.95	14.9	11.0	4.16	14.0	10.6	4.58	13.7	10.5	4.90	13.2	10.3	5.44	12.2	9.8	5.97
	24.0	32.0	16.2	11.4	3.98	15.8	11.1	4.20	14.9	10.7	4.62	14.6	10.6	4.95	13.9	10.4	5.49	13.1	10.1	6.02

#### SYMBOLS

- AFR: Air flow rate [m3/min.]
- BF: Bypass factor
- EWB: Entering wet bulb temp. [°CWB]
- EDB: Entering dry bulb temp. [°CDB]
- DB\*: Dry bulb temp. [°CDB]
- TC: Total capacity cooling [kW]
- SHC: Sensible heat capacity [kW]
- PI: Power input (Comp. + indoor + outdoor fan motor) [kW]

#### CAUTION

- TC and SHC are given in kW.
- V1/V3: 230V [50 Hz]
- W1: 400V [50Hz]

#### NOTES

- 1 Ratings shown are net capacities. Influence on fan motor heat is included.
- 2  shows nominal capacities.
- 3 SHC is based on each EWB and EDB.  
SHC\* = SHC correction for other dry bulb.  
= 0.29 x 60 x AFR [m3/min.] x (1-BF) x (DB\*-EDB)/860  
Add SHC\* to SHC if SHC > TC, then TC = SHC.
- 4 Direct interpolation is permissible. Do not extrapolate.
- 5 Capacities are based on the following conditions.  
Corresponding refrigerant piping length: 7.5m  
Level difference: 0m
- 6 Air flow rate and BF are tabulated below.

Model	FAQ	
125	AFR	35
	BF	0.14

3TW26322-6

# 6 Capacity tables

## 6 - 3 Cooling capacity tables simultaneous operation

### Simultaneous operation RQ71-100-125B and RR71-100-125B

#### Cooling capacity

Outdoor	Indoor		RQ												RR											
	EWB (°C)	EDB (°C)	Outdoor temperature (°CDB)												Outdoor temperature (°CDB)											
			20		25		32		35		40		46		20		25		32		35		40		46	
TC	PI	TC	PI	TC	PI	TC	PI	TC	PI	TC	PI	TC	PI	TC	PI	TC	PI	TC	PI	TC	PI	TC	PI			
71	12.0	18.0	6.2	1.80	6.1	1.95	5.7	2.19	5.5	2.34	5.3	2.58	4.9	2.81	6.2	1.80	6.1	1.95	5.7	2.19	5.5	2.34	5.3	2.58	4.9	2.81
	14.0	20.0	6.6	1.83	6.5	1.99	6.0	2.23	5.9	2.38	5.5	2.62	5.3	2.86	6.6	1.83	6.5	1.99	6.0	2.23	5.9	2.38	5.5	2.62	5.3	2.86
	16.0	22.0	7.2	1.86	7.0	2.02	6.5	2.26	6.3	2.43	6.0	2.67	5.5	2.91	7.2	1.86	7.0	2.02	6.5	2.26	6.3	2.43	6.0	2.67	5.5	2.91
	18.0	25.0	7.7	1.91	7.5	2.07	7.2	2.32	6.8	2.48	6.4	2.73	6.0	2.98	7.7	1.91	7.5	2.07	7.2	2.32	6.8	2.48	6.4	2.73	6.0	2.98
	19.0	27.0	8.0	1.92	7.7	2.09	7.3	2.34	7.1	2.51	6.6	2.76	6.2	3.01	8.0	1.92	7.7	2.09	7.3	2.34	7.1	2.51	6.6	2.76	6.2	3.01
	19.5	27.0	8.0	1.93	7.9	2.10	7.4	2.35	7.2	2.52	6.7	2.77	6.3	3.02	8.0	1.93	7.9	2.10	7.4	2.35	7.2	2.52	6.7	2.77	6.3	3.02
	22.0	30.0	8.7	1.97	8.5	2.14	8.0	2.40	7.9	2.57	7.4	2.83	6.8	3.08	8.7	1.97	8.5	2.14	8.0	2.40	7.9	2.57	7.4	2.83	6.8	3.08
	24.0	32.0	9.4	1.99	9.1	2.16	8.6	2.42	8.4	2.59	8.0	2.85	7.4	3.11	9.4	1.99	9.1	2.16	8.6	2.42	8.4	2.59	8.0	2.85	7.4	3.11
100	12.0	18.0	8.4	2.53	8.3	2.80	8.1	3.16	7.8	3.34	7.5	3.70	6.8	4.15	8.4	2.53	8.3	2.80	8.1	3.16	7.8	3.34	7.5	3.70	6.8	4.15
	14.0	20.0	8.9	2.57	8.8	2.85	8.7	3.22	8.4	3.40	7.8	3.77	7.4	4.23	8.9	2.57	8.8	2.85	8.7	3.22	8.4	3.40	7.8	3.77	7.4	4.23
	16.0	22.0	10.1	2.62	9.8	2.90	9.1	3.27	8.9	3.46	8.5	3.83	7.7	4.30	10.1	2.62	9.8	2.90	9.1	3.27	8.9	3.46	8.5	3.83	7.7	4.30
	18.0	25.0	10.8	2.68	10.5	2.97	9.8	3.35	9.6	3.54	9.0	3.93	8.3	4.41	10.8	2.68	10.5	2.97	9.8	3.35	9.6	3.54	9.0	3.93	8.3	4.41
	19.0	27.0	11.1	2.71	10.8	3.00	10.1	3.39	10.0	3.58	9.4	3.97	8.6	4.45	11.1	2.71	10.8	3.00	10.1	3.39	10.0	3.58	9.4	3.97	8.6	4.45
	19.5	27.0	11.2	2.72	11.0	3.01	10.3	3.40	10.1	3.59	9.5	3.98	8.7	4.47	11.2	2.72	11.0	3.01	10.3	3.40	10.1	3.59	9.5	3.98	8.7	4.47
	22.0	30.0	12.2	2.77	11.8	3.07	11.2	3.47	11.0	3.66	10.4	4.06	9.5	4.55	12.2	2.77	11.8	3.07	11.2	3.47	11.0	3.66	10.4	4.06	9.5	4.55
	24.0	32.0	13.0	2.80	12.7	3.10	11.9	3.50	11.6	3.70	11.1	4.10	10.2	4.60	13.0	2.80	12.7	3.10	11.9	3.50	11.6	3.70	11.1	4.10	10.2	4.60
125	12.0	18.0	11.1	3.37	10.8	3.55	10.0	3.91	9.7	4.18	9.2	4.64	8.5	5.09	11.1	3.37	10.8	3.55	10.0	3.91	9.7	4.18	9.2	4.64	8.5	5.09
	14.0	20.0	11.8	3.43	11.4	3.61	10.7	3.98	10.4	4.26	9.8	4.72	9.1	5.18	11.8	3.43	11.4	3.61	10.7	3.98	10.4	4.26	9.8	4.72	9.1	5.18
	16.0	22.0	12.7	3.49	12.1	3.68	11.4	4.05	11.1	4.33	10.4	4.81	9.6	5.27	12.7	3.49	12.1	3.68	11.4	4.05	11.1	4.33	10.4	4.81	9.6	5.27
	18.0	25.0	13.3	3.57	13.0	3.76	12.1	4.14	11.8	4.44	11.2	4.92	10.3	5.40	13.3	3.57	13.0	3.76	12.1	4.14	11.8	4.44	11.2	4.92	10.3	5.40
	19.0	27.0	13.6	3.61	13.3	3.80	12.7	4.19	12.2	4.48	11.5	4.97	10.7	5.45	13.6	3.61	13.3	3.80	12.7	4.19	12.2	4.48	11.5	4.97	10.7	5.45
	19.5	27.0	13.8	3.62	13.5	3.81	12.8	4.20	12.4	4.49	11.7	4.99	10.9	5.47	13.8	3.62	13.5	3.81	12.8	4.20	12.4	4.49	11.7	4.99	10.9	5.47
	22.0	30.0	15.1	3.69	14.6	3.89	13.7	4.28	13.4	4.58	12.9	5.09	11.9	5.58	15.1	3.69	14.6	3.89	13.7	4.28	13.4	4.58	12.9	5.09	11.9	5.58
	24.0	32.0	15.9	3.73	15.5	3.93	14.6	4.32	14.3	4.63	13.6	5.14	12.8	5.63	15.9	3.73	15.5	3.93	14.6	4.32	14.3	4.63	13.6	5.14	12.8	5.63

#### SYMBOLS

EWB: Entering wet bulb temp. [°CWB]  
 EDB: Entering dry bulb temp. [°CDB]  
 TC: Total capacity heating [kW]  
 PI o: Power input of outdoor unit [kW]  
 PI corr1: Correction factor for PI depending on voltage of outdoor [kW]  
 PI corr2: Correction factor for PI depending used indoor units [kW]  
 PI: Total power input [kW]  
 $PI = PI\ o + PI\ corr1 + \sum PI\ corr2$   
 e.g. RQ100B7V3B + FBQ71B7V3B + FHQ35BUBV1B  
 $PI = 3.58 + 0.27 + 0.21 + 0.14 = 4.2\ kW$

#### NOTES

- Ratings shown are net capacities which include a deduction for indoor fan motor heat.
- shows nominal capacities.
- Capacities are based on the following conditions.  
Corresponding refrigerant piping length: 7.5m  
Level difference: 0m
- Direct interpolation is permissible. Do not extrapolate.
- Add the following correction to the power input for the different outdoor units (PI corr1).

Outdoor model	Power supply	
	V3	W1
RQ71	0.12	0
RQ100	0.27	0
RR71	0.12	0
RR100	0.27	0

- Add the following correction to the power input for each connected indoor unit (PI corr2).

Indoor model	Indoor types					
	FBQ	FHQ	FFQ	FCQ	FAQ	FUQ
35	0.12	0.14	0.08	0.14	-	-
50	0.16	0.14	0.09	0.14	-	-
60	0.21	0.14	0.11	0.16	-	-
71	0.21	0.14	-	0.16	0.069	0.16

- The total capacity does not change with different combination of indoor units.

# 6 Capacity tables

## 6 - 4 Heating capacity tables

### FAQ71-100B + RQ71-100BV3/ RQ71-100BW1

#### Heating capacity table

Outdoor	Indoor	outdoor temperature (°CWB)											
	EDB	-10		-5		0		6		10		15	
	(°C)	TC	PI	TC	PI	TC	PI	TC	PI	TC	PI	TC	PI
71	16.0	6.3	2.09	6.8	2.17	7.3	2.25	8.1	2.33	8.7	2.41	/	/
	18.0	6.3	2.17	6.7	2.25	7.3	2.33	8.0	2.41	8.6	2.49	/	/
	20.0	6.3	2.25	6.7	2.33	7.3	2.41	8.0	2.49	8.6	2.57	9.3	2.65
	22.0	6.3	2.33	6.7	2.41	7.3	2.49	8.0	2.57	8.6	2.65	9.3	2.73
	24.0	6.2	2.41	6.6	2.49	7.2	2.57	7.9	2.65	8.5	2.73	9.2	2.81
100	16.0	8.7	3.21	9.5	3.32	10.3	3.41	11.4	3.52	12.1	3.62	/	/
	18.0	8.6	3.32	9.4	3.41	10.3	3.52	11.3	3.62	12.1	3.72	/	/
	20.0	8.6	6.52	9.3	3.62	10.1	3.72	11.2	3.82	11.9	3.92	12.9	4.02
	22.0	8.6	3.62	9.3	3.72	10.1	3.82	11.2	3.92	11.9	4.02	12.8	4.12
	24.0	8.5	3.72	9.3	3.82	9.9	3.92	11.0	4.02	11.7	4.12	12.8	4.23

3TW26322-11A

#### SYMBOLS

AFR:	Air flow rate	(m <sup>3</sup> /min)
EDB:	Entering dry bulb temp.	(°CDB)
WB:	Wet bulb temperature	(°CWB)
TC:	Total cooling/heating capacity	(kW)
PI:	Power input	(kW)
	(comp.+indoor+outdoor fan motor)	

#### Caution:

TC is shown by kW  
 V1/V3: 230 V [50 Hz]  
 W1: 400 V [50 Hz]

#### NOTES

- Ratings shown are net capacities. Influence of fan motor heat is included.
- Shows nominal capacities
- Capacities are based on following conditions:  
 \* outdoor air : 85 % RH. however, the condition on nominal capacity is 7° CDB/6° CWB  
 \* Corresponding refrigerant piping length : 7.5 m  
 Level difference : 0 m
- Direct interpolation is permissible. Do not extrapolate.
- Air flow rate and BF are tabulated below.

Model		FAQ
71	AFR	19
	BF	0.08
100	AFR	23
	BF	0.1

- Add the following corrections to power input of each model.

Model	Supply	FAQ
71	V3	0.09
	W1	0
100	V3	0.14
	W1	0

## 6 Capacity tables

### 6 - 4 Heating capacity tables

#### FCQ71-125B + RQ71-100BV3 / RQ71-125BW1

#### Heating capacity

Outdoor	Indoor EDB (°C)	Outdoor temperature (°CDB)											
		-10		-5		0		6		10		15	
		TC	PI	TC	PI	TC	PI	TC	PI	TC	PI	TC	PI
71	16.0	6.3	2.35	6.8	2.44	7.3	2.53	8.1	2.62	8.7	2.71	-	-
	18.0	6.3	2.44	6.7	2.53	7.3	2.62	8.0	2.71	8.6	2.80	-	-
	20.0	6.3	2.53	6.7	2.62	7.3	2.71	8.0	2.80	8.6	2.89	9.3	2.98
	22.0	6.3	2.62	6.7	2.71	7.3	2.80	8.0	2.89	8.6	2.98	9.3	3.07
	24.0	6.2	2.71	6.6	2.80	7.2	2.89	7.9	2.98	8.5	3.07	9.2	3.16
100	16.0	8.7	3.08	9.5	3.18	10.3	3.27	11.4	3.37	12.1	3.47	-	-
	18.0	8.6	3.18	9.4	3.27	10.3	3.37	11.3	3.47	12.1	3.56	-	-
	20.0	8.6	3.37	9.3	3.47	10.1	3.56	11.2	3.66	11.9	3.76	12.9	3.85
	22.0	8.6	3.47	9.3	3.56	10.1	3.66	11.2	3.76	11.9	3.85	12.8	3.95
	24.0	8.5	3.56	9.3	3.66	9.9	3.76	11.0	3.85	11.7	3.95	12.8	4.05
125	16.0	11.5	4.22	12.5	4.43	13.4	4.53	14.7	4.64	15.7	4.85	-	-
	18.0	11.5	4.32	12.5	4.53	13.4	4.64	14.6	4.85	15.6	4.95	-	-
	20.0	11.5	4.53	12.3	4.74	13.4	4.95	14.6	5.06	15.5	5.17	16.7	5.38
	22.0	11.5	4.64	12.3	4.85	13.4	4.95	14.6	5.17	15.5	5.27	16.7	5.48
	24.0	11.3	4.74	12.3	4.95	13.3	5.17	14.5	5.27	15.5	5.48	16.4	5.69

#### SYMBOLS

- FR: Air flow rate [m<sup>3</sup>/min.]
- BF: Bypass factor
- EWB: Entering wet bulb temp. [°CWB]
- EDB: Entering dry bulb temp. [°CDB]
- DB\*: Dry bulb temp. [°CDB]
- TC: Total capacity cooling [kW]
- SHC: Sensible heat capacity [kW]
- PI: Power input (Comp. + indoor + outdoor fan motor) [kW]

#### CAUTION

- TC and SHC are given in kW.
- V1/V3: 230V [50 Hz]
- W1: 400V [50Hz]

#### NOTES

- 1 Ratings shown are net capacities. Influence on fan motor heat is included.
- 2  shows nominal capacities.
- 3 SHC is based on each EWB and EDB.  
SHC\* = SHC correction for other dry bulb.  
= 0.29 x 60 x AFR [m<sup>3</sup>/min.] x (1-BF) x (DB\*-EDB)/860  
Add SHC\* to SHC if SHC > SHC.
- 4 Direct interpolation is permissible. Do not extrapolate.
- 5 Capacities are based on the following conditions.  
Outdoor air: 85%RH. However, the condition on nominal capacity is 7°CDB/6°CWB.  
Corresponding refrigerant piping length: 7.5m  
Level difference: 0m
- 6 Air flow rate and BF are tabulated below.

Model		FAQ
71	AFR	18
	BF	0.1
100	AFR	28
	BF	0.16
125	AFR	31
	BF	0.07

- 7 Add the following corrections to power input of each model.

Model		FAQ
71	V3	0.05
	W1	0
100	V3	0.09
	W1	0
125	W1	0

3TW26322-7

## 6 Capacity tables

### 6 - 4 Heating capacity tables

#### FBQ71-100B + RQ71-100BV3 / RQ71-100BW1

#### Heating capacity

Outdoor	Indoor EDB (°C)	Outdoor temperature (°CDB)											
		-10		-5		0		6		10		15	
		TC	PI	TC	PI	TC	PI	TC	PI	TC	PI	TC	PI
71	16.0	6.3	2.09	6.8	2.17	7.3	2.25	8.1	2.33	8.7	2.41	-	-
	18.0	6.3	2.17	6.7	2.25	7.3	2.33	8.0	2.41	8.6	2.49	-	-
	20.0	6.3	2.25	6.7	2.33	7.3	2.41	8.0	2.49	8.6	2.57	9.3	2.65
	22.0	6.3	2.33	6.7	2.41	7.3	2.49	8.0	2.57	8.6	2.65	9.3	2.73
	24.0	6.2	2.41	6.6	2.49	7.2	2.57	7.9	2.65	8.5	2.73	9.2	2.81
100	16.0	8.7	3.26	9.5	3.36	10.3	3.46	11.4	3.56	12.1	3.67	-	-
	18.0	8.6	3.36	9.4	3.46	10.3	3.56	11.3	3.67	12.1	3.76	-	-
	20.0	8.6	3.56	9.3	3.67	10.1	3.76	11.2	3.87	11.9	3.98	12.9	4.07
	22.0	8.6	3.67	9.3	3.76	10.1	3.87	11.2	3.98	11.9	4.07	12.8	4.18
	24.0	8.5	3.76	9.3	3.87	9.9	3.98	11.0	4.07	11.7	4.18	12.8	4.28
125	16.0	11.4	3.77	12.4	3.96	13.3	4.05	14.6	4.14	15.6	4.33	-	-
	18.0	11.4	3.86	12.4	4.05	13.3	4.14	14.5	4.33	15.5	4.42	-	-
	20.0	11.4	4.05	12.2	4.23	13.3	4.42	14.5	4.52	15.4	4.62	16.6	4.81
	22.0	11.4	4.14	12.2	4.33	13.3	4.42	14.5	4.62	15.4	4.71	16.6	4.90
	24.0	11.2	4.23	12.2	4.42	13.2	4.62	14.4	4.71	15.4	4.90	16.3	5.08

#### SYMBOLS

FR: Air flow rate [m<sup>3</sup>/min.]

BF: Bypass factor

EWB: Entering wet bulb temp. [°CWB]

EDB: Entering dry bulb temp. [°CDB]

DB\*: Dry bulb temp. [°CDB]

TC: Total capacity cooling [kW]

SHC: Sensible heat capacity [kW]

PI: Power input (Comp. + indoor + outdoor fan motor) [kW]

#### CAUTION

TC and SHC are given in kW.

V1/V3: 230V [50 Hz]

W1: 400V [50Hz]

#### NOTES

- Ratings shown are net capacities. Influence on fan motor heat is included.
- |  |
|--|
|  |
|--|

 shows nominal capacities.
- SHC is based on each EWB and EDB.  
SHC\* = SHC correction for other dry bulb.  
= 0.29 x 60 x AFR [m<sup>3</sup>/min.] x (1-BF) x (DB\*-EDB)/860  
Add SHC\* to SHC if SHC > TC, then TC = SHC.
- Direct interpolation is permissible. Do not extrapolate.
- Capacities are based on the following conditions.  
Outdoor iar: 85%RH. However, the condition on nominal capacity is 7°CDB/6°CWB.  
Corresponding refrigerant piping length: 7.5m  
Level difference: 0m
- Air flow rate and BF are tabulated below.

Model		FAQ
71	AFR	19
	BF	0.11
100	AFR	23
	BF	0.2
125	AFR	35
	BF	0.14

- Add the following corrections to power input of each model.

Model		FAQ
71	V3	0
	W1	0
100	V3	0.04
	W1	0
125	W1	0

3TW26322-8

## 6 Capacity tables

### 6 - 4 Heating capacity tables

#### FHQ71-125B + RQ71-100BV3 / RQ71-125BW1

#### Heating capacity

Outdoor	Indoor EDB (°C)	Outdoor temperature (°CDB)											
		-10		-5		0		6		10		15	
		TC	PI	TC	PI	TC	PI	TC	PI	TC	PI	TC	PI
71	16.0	6.3	2.35	6.8	2.44	7.3	2.53	8.1	2.62	8.7	2.71	-	-
	18.0	6.3	2.44	6.7	2.53	7.3	2.62	8.0	2.71	8.6	2.80	-	-
	20.0	6.3	2.53	6.7	2.62	7.3	2.71	8.0	2.80	8.6	2.89	9.3	2.98
	22.0	6.3	2.62	6.7	2.71	7.3	2.80	8.0	2.89	8.6	2.98	9.3	3.07
	24.0	6.2	2.71	6.6	2.80	7.2	2.89	7.9	2.98	8.5	3.07	9.2	3.16
100	16.0	8.7	3.37	9.5	3.48	10.3	3.58	11.4	3.69	12.1	3.80	-	-
	18.0	8.6	3.48	9.4	3.58	10.3	3.69	11.3	3.80	12.1	3.90	-	-
	20.0	8.6	3.69	9.3	3.80	10.1	3.90	11.2	4.01	11.9	4.12	12.9	4.22
	22.0	8.6	3.80	9.3	3.90	10.1	4.01	11.2	4.12	11.9	4.22	12.8	4.33
	24.0	8.5	3.90	9.3	4.01	9.9	4.12	11.0	4.22	11.7	4.33	12.8	4.44
125	16.0	11.4	4.30	12.4	4.52	13.3	4.62	14.6	4.73	15.6	4.95	-	-
	18.0	11.4	4.41	12.4	4.62	13.3	4.73	14.5	4.95	15.5	5.05	-	-
	20.0	11.4	4.62	12.2	4.83	13.3	5.05	14.5	5.18	15.4	5.27	16.6	5.49
	22.0	11.4	4.73	12.2	4.95	13.3	5.05	14.5	5.27	15.4	5.37	16.6	5.59
	24.0	11.2	4.83	12.2	5.05	13.2	5.27	14.4	5.37	15.4	5.59	16.3	5.80

#### SYMBOLS

- FR: Air flow rate [m<sup>3</sup>/min.]
- BF: Bypass factor
- EWB: Entering wet bulb temp. [°CWB]
- EDB: Entering dry bulb temp. [°CDB]
- DB\*: Dry bulb temp. [°CDB]
- TC: Total capacity cooling [kW]
- SHC: Sensible heat capacity [kW]
- PI: Power input (Comp. + indoor + outdoor fan motor) [kW]

#### CAUTION

- TC and SHC are given in kW.
- V1/V3: 230V [50 Hz]
- W1: 400V [50Hz]

#### NOTES

- 1 Ratings shown are net capacities. Influence on fan motor heat is included.
- 2  shows nominal capacities.
- 3 SHC is based on each EWB and EDB.  
SHC\* = SHC correction for other dry bulb.  
= 0.29 x 60 x AFR [m<sup>3</sup>/min.] x (1-BF) x (DB\*-EDB)/860  
Add SHC\* to SHC if SHC > TC, then TC = SHC.
- 4 Direct interpolation is permissible. Do not extrapolate.
- 5 Capacities are based on the following conditions.  
Outdoor air: 85%RH. However, the condition on nominal capacity is 7°CDB/6°CWB.  
Corresponding refrigerant piping length: 7.5m  
Level difference: 0m
- 6 Air flow rate and BF are tabulated below.

Model		FAQ
71	AFR	17
	BF	0.1
100	AFR	24
	BF	0.14
125	AFR	30
	BF	0.13

- 7 Add the following corrections to power input of each model.

Model		FAQ
71	V3	0.05
	W1	0
100	V3	0.12
	W1	0
125	W1	0

3TW26322-9

## 6 Capacity tables

### 6 - 4 Heating capacity tables

#### FUQ71-125B + RQ71-100BV3 / RQ71-125BW1

#### Heating capacity

Outdoor	Indoor EDB (°C)	Outdoor temperature (°CDB)											
		-10		-5		0		6		10		15	
		TC	PI	TC	PI	TC	PI	TC	PI	TC	PI	TC	PI
71	16.0	6.3	2.05	6.8	2.13	7.3	2.20	8.1	2.28	8.7	2.36	-	-
	18.0	6.3	2.13	6.7	2.20	7.3	2.28	8.0	2.36	8.6	2.44	-	-
	20.0	6.3	2.20	6.7	2.28	7.3	2.36	8.0	2.44	8.6	2.52	9.3	2.60
	22.0	6.3	2.28	6.7	2.36	7.3	2.44	8.0	2.52	8.6	2.60	9.3	2.68
	24.0	6.2	2.36	6.6	2.44	7.2	2.52	7.9	2.60	8.5	2.68	9.2	2.75
100	16.0	8.7	2.98	9.5	3.08	10.3	3.16	11.4	3.26	12.1	3.36	-	-
	18.0	8.6	3.08	9.4	3.16	10.3	3.26	11.3	3.36	12.1	3.44	-	-
	20.0	8.6	3.26	9.3	3.36	10.1	3.44	11.2	3.54	11.9	3.64	12.9	3.72
	22.0	8.6	3.36	9.3	3.44	10.1	3.54	11.2	3.64	11.9	3.72	12.8	3.82
	24.0	8.5	3.44	9.3	3.54	9.9	3.64	11.0	3.72	11.7	3.82	12.8	3.92
125	16.0	11.4	4.07	12.4	4.27	13.3	4.37	14.6	4.47	15.6	4.68	-	-
	18.0	11.4	4.17	12.4	4.37	13.3	4.47	14.5	4.68	15.5	4.77	-	-
	20.0	11.4	4.37	12.2	4.57	13.3	4.77	14.5	4.88	15.4	4.99	16.6	5.19
	22.0	11.4	4.47	12.2	4.68	13.3	4.77	14.5	4.99	15.4	5.08	16.6	5.29
	24.0	11.2	4.57	12.2	4.77	13.2	4.99	14.4	5.08	15.4	5.29	16.3	5.49

#### SYMBOLS

FR: Air flow rate [m<sup>3</sup>/min.]  
 BF: Bypass factor  
 EWB: Entering wet bulb temp. [°CWB]  
 EDB: Entering dry bulb temp. [°CDB]  
 DB\*: Dry bulb temp. [°CDB]  
 TC: Total capacity cooling [kW]  
 SHC: Sensible heat capacity [kW]  
 PI: Power input (Comp. + indoor + outdoor fan motor) [kW]

#### CAUTION

TC and SHC are given in kW.  
 V1/V3: 230V [50 Hz]  
 W1: 400V [50Hz]

#### NOTES

- Ratings shown are net capacities. Influence on fan motor heat is included.
- |  |
|--|
|  |
|--|

 shows nominal capacities.
- SHC is based on each EWB and EDB.  
 $SHC^* = SHC \text{ correction for other dry bulb.}$   
 $= 0.29 \times 60 \times AFR [m^3/min.] \times (1-BF) \times (DB^*-EDB)/860$   
 Add SHC\* to SHC if SHC > TC, then TC = SHC.
- Direct interpolation is permissible. Do not extrapolate.
- Capacities are based on the following conditions.  
 Outdoor iar: 85%RH. However, the condition on nominal capacity is 7°CDB/6°CWB.  
 Corresponding refrigerant piping length: 7.5m  
 Level difference: 0m
- Air flow rate and BF are tabulated below.

Model		FAQ
71	AFR	19
	BF	0.07
100	AFR	29
	BF	0.07
125	AFR	32
	BF	0.07

- Add the following corrections to power input of each model.

Model		FAQ
71	V3	0.09
	W1	0
100	V3	0.04
	W1	0
125	W1	0

3TW26322-10



## 6 Capacity tables

### 6 - 4 Heating capacity tables

6

#### FDQ125B + RQ125BW1

#### Heating capacity

Outdoor	Indoor EDB (°C)	Outdoor temperature (°CDB)											
		-10		-5		0		6		10		15	
		TC	PI	TC	PI	TC	PI	TC	PI	TC	PI	TC	PI
125	16.0	11.5	3.76	12.5	3.95	13.4	4.04	14.7	4.14	15.7	4.32	-	-
	18.0	11.5	3.85	12.5	4.04	13.4	4.14	14.6	4.32	15.6	4.41	-	-
	20.0	11.5	4.04	12.3	4.22	13.4	4.41	14.6	4.51	15.5	4.61	16.7	4.80
	22.0	11.5	4.14	12.3	4.32	13.4	4.41	14.6	4.61	15.5	4.70	16.7	4.88
	24.0	11.3	4.22	12.3	4.41	13.3	4.61	14.5	4.70	15.5	4.88	16.4	5.07

#### SYMBOLS

FR: Air flow rate [m3/min.]  
 BF: Bypass factor  
 EWB: Entering wet bulb temp. [°CWB]  
 EDB: Entering dry bulb temp. [°CDB]  
 DB\*: Dry bulb temp. [°CDB]  
 TC: Total capacity cooling [kW]  
 SHC: Sensible heat capacity [kW]  
 PI: Power input (Comp. + indoor + outdoor fan motor) [kW]

#### CAUTION

TC and SHC are given in kW.  
 V1/V3: 230V [50 Hz]  
 W1: 400V [50Hz]

#### NOTES

- Ratings shown are net capacities. Influence on fan motor heat is included.
- |  |
|--|
|  |
|--|

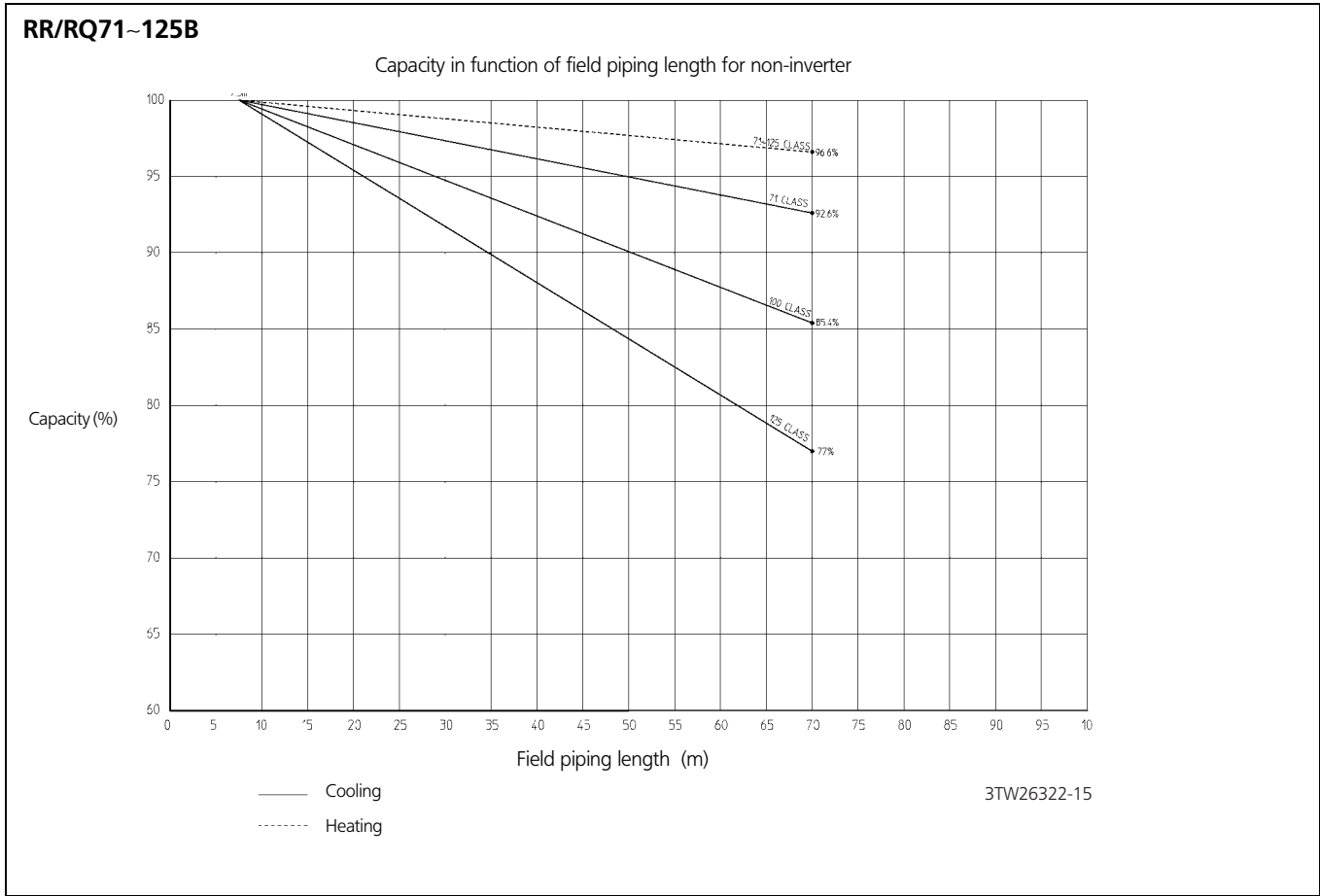
 shows nominal capacities.
- SHC is based on each EWB and EDB.  
 $SHC^* = SHC \text{ correction for other dry bulb.}$   
 $= 0.29 \times 60 \times AFR [m3/min.] \times (1-BF) \times (DB^*-EDB)/860$   
 Add SHC\* to SHC if SHC > TC, then TC = SHC.
- Direct interpolation is permissible. Do not extrapolate.
- Capacities are based on the following conditions.  
 Outdoor air: 85%RH. However, the condition on nominal capacity is 7°CDB/6°CWB.  
 Corresponding refrigerant piping length: 7.5m  
 Level difference: 0m
- Air flow rate and BF are tabulated below.

Model	FAQ	
125	AFR	45
	BF	0.25

3TW26322-12

# 6 Capacity tables

## 6 - 4 Heating capacity tables



## 6 Capacity tables

### 6 - 5 Heating capacity tables simultaneous operation

#### Simultaneous operation RQ71-100-125B

#### Heating capacity

Outdoor	Indoor EDB (°C)	Outdoor temperature (°CWB)											
		-10		-5		0		6		10		15	
		TC	PI	TC	PI	TC	PI	TC	PI	TC	PI	TC	PI
71	16.0	6.3	2.23	6.8	2.32	7.3	2.40	8.1	2.49	8.7	2.57	-	-
	18.0	6.3	2.32	6.7	2.40	7.3	2.49	8.0	2.57	8.6	2.66	-	-
	20.0	6.3	2.40	6.7	2.49	7.3	2.57	8.0	2.66	8.6	2.75	9.3	2.83
	22.0	6.3	2.49	6.7	2.57	7.3	2.66	8.0	2.75	8.6	2.83	9.3	2.92
	24.0	6.2	2.57	6.6	2.66	7.2	2.75	7.9	2.83	8.5	2.92	9.2	3.00
100	16.0	8.7	3.23	9.5	3.34	10.3	3.43	11.4	3.54	12.1	3.64	-	-
	18.0	8.6	3.34	9.4	3.43	10.3	3.54	11.3	3.64	12.1	3.74	-	-
	20.0	8.6	3.54	9.3	3.64	10.1	3.74	11.2	3.84	11.9	3.94	12.9	4.04
	22.0	8.6	3.64	9.3	3.74	10.1	3.84	11.2	3.94	11.9	4.04	12.8	4.14
	24.0	8.5	3.74	9.3	3.84	9.9	3.94	11.0	4.04	11.7	4.14	12.8	4.25
125	16.0	11.4	4.10	12.4	4.31	13.3	4.40	14.6	4.51	15.6	4.72	-	-
	18.0	11.4	4.20	12.4	4.40	13.3	4.51	14.5	4.72	15.5	4.81	-	-
	20.0	11.4	4.40	12.2	4.61	13.3	4.81	14.5	4.92	15.4	5.03	16.6	5.23
	22.0	11.4	4.51	12.2	4.72	13.3	4.81	14.5	5.03	15.4	5.12	16.6	5.33
	24.0	11.2	4.61	12.2	4.81	13.2	5.03	14.4	5.12	15.4	5.33	16.3	5.53

#### SYMBOLS

EWB: Entering wet bulb temp. [°CWB]

EDB: Entering dry bulb temp. [°CDB]

TC: Total capacity heating [kW]

PI o: Power input of outdoor unit [kW]

PI corr1: Correction factor for PI depending on voltage of outdoor [kW]

PI corr2: Correction factor for PI depending used indoor units [kW]

PI: Total power input [kW]

$$PI = PI\ o + PI\ corr1 + \sum PI\ corr2$$

e.g. RQ100B7V3B + FBQ71B7V3B + FHQ35BUV1B

$$PI = 3.84 + 0.27 + 0.21 + 0.14 = 4.46\ kW$$

#### NOTES

- Ratings shown are net capacities which include a deduction for indoor fan motor heat.
- |  |
|--|
|  |
|--|

 shows nominal capacities.
- Capacities are based on the following conditions.  
Corresponding refrigerant piping length: 7.5m  
Level difference: 0m  
Outdoor air: 85% RH  
However, when outdoor air temperature is 7°CDB, wet bulb temperature is 6°CWB.
- Direct interpolation is permissible. Do not extrapolate.
- Add the following correction to the power input for the different outdoor units (PI corr1).

Outdoor model	Power supply	
	V3	W1
RQ71	0.12	0
RQ100	0.27	0

- Add the following correction to the power input for each connected indoor unit (PI corr2).

Indoor model	Indoor types					
	FBQ	FHQ	FFQ	FCQ	FAQ	FUQ
35	0.12	0.14	0.08	0.14	-	-
50	0.16	0.14	0.09	0.14	-	-
60	0.21	0.14	0.11	0.16	-	-
71	0.21	0.14	-	0.16	0.069	0.16

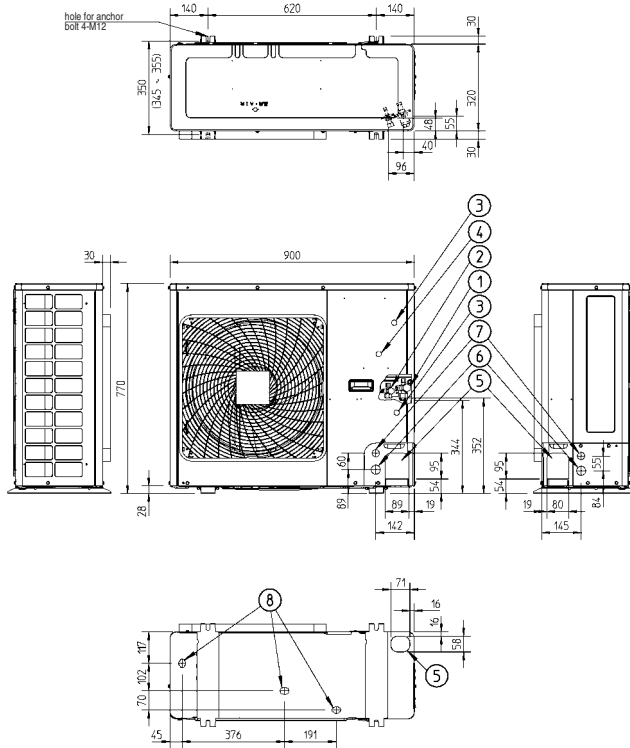
- The total capacity does not change with different combination of indoor units.

3TW26322-14

# 7 Dimensional drawing & centre of gravity

## 7 - 1 Dimensional drawing

RQ71B

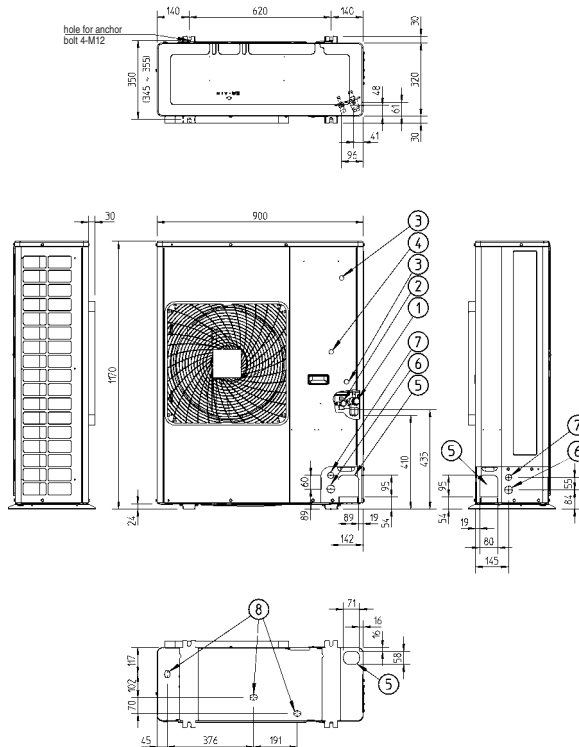


### LEGEND

- 1 Gas pipe connection  $\varnothing 15.9$  flare
- 2 Liquid pipe connection  $\varnothing 9.5$  flare
- 3 Service port (in the unit)
- 4 Grounding terminal M5 (in switch box)
- 5 Refrigerant piping intake
- 6 Power supply wiring intake (knock out hole  $\varnothing 34$ )
- 7 Control wiring intake (knock out hole  $\varnothing 27$ )
- 8 Drain outlet

3TW26324-1

RQ100B



### LEGEND

- 1 Gas pipe connection  $\varnothing 15.9$  flare
- 2 Liquid pipe connection  $\varnothing 9.5$  flare
- 3 Service port (in the unit)
- 4 Grounding terminal M5 (in switch box)
- 5 Refrigerant piping intake
- 6 Power supply wiring intake (knock out hole  $\varnothing 34$ )
- 7 Control wiring intake (knock out hole  $\varnothing 27$ )
- 8 Drain outlet

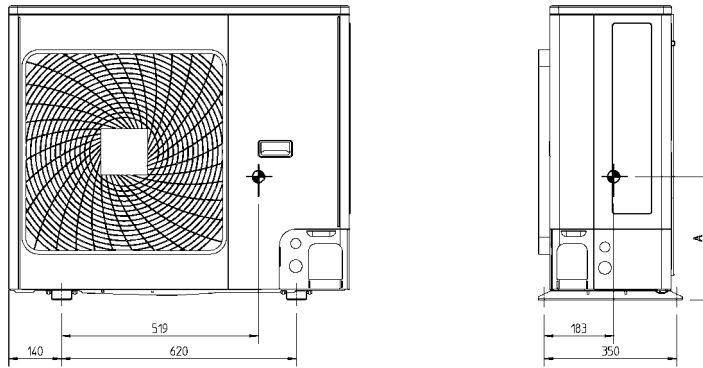
3TW26344-1



## 7 Dimensional drawing & centre of gravity

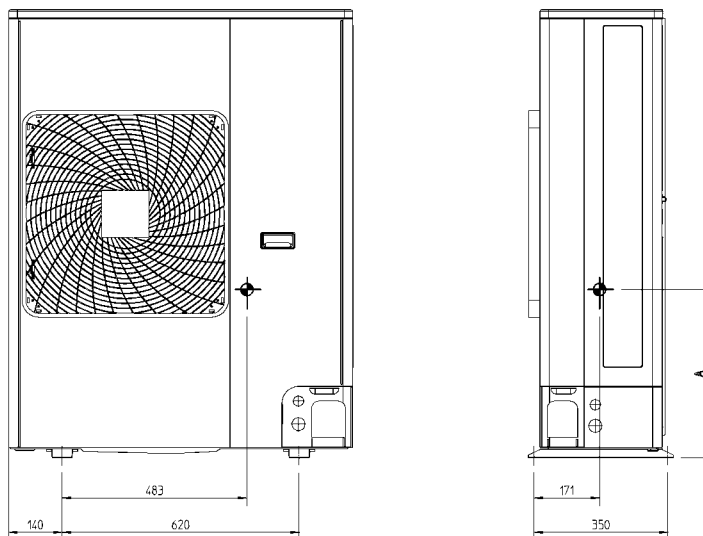
### 7 - 2 Centre of gravity

R(Q)(R)71B



3TW26329-5B

R(Q)(R)100B



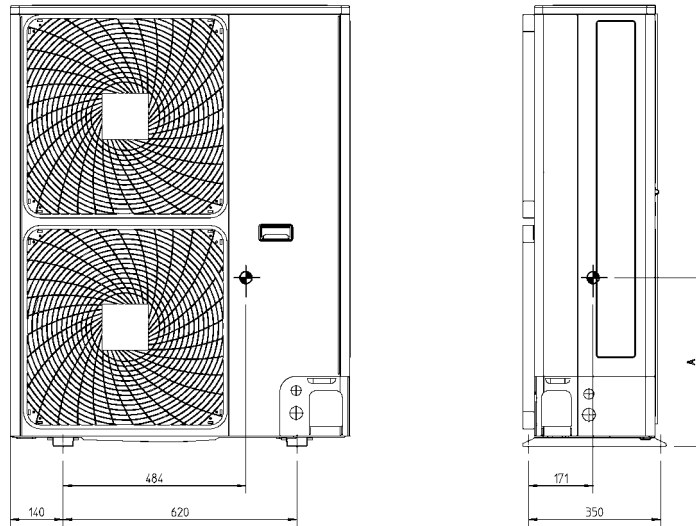
3TW26349-5B

## 7 Dimensional drawing & centre of gravity

### 7 - 2 Centre of gravity

7

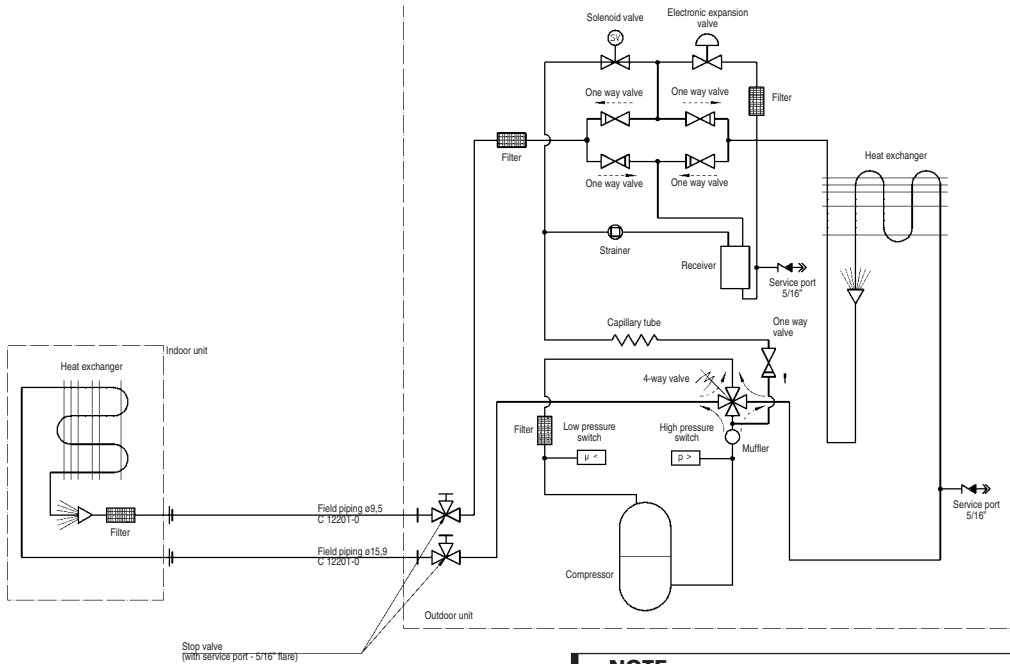
R(Q)(R)125B



3TW26369-5B

# 8 Piping diagram

## RQ71-125B (pair)



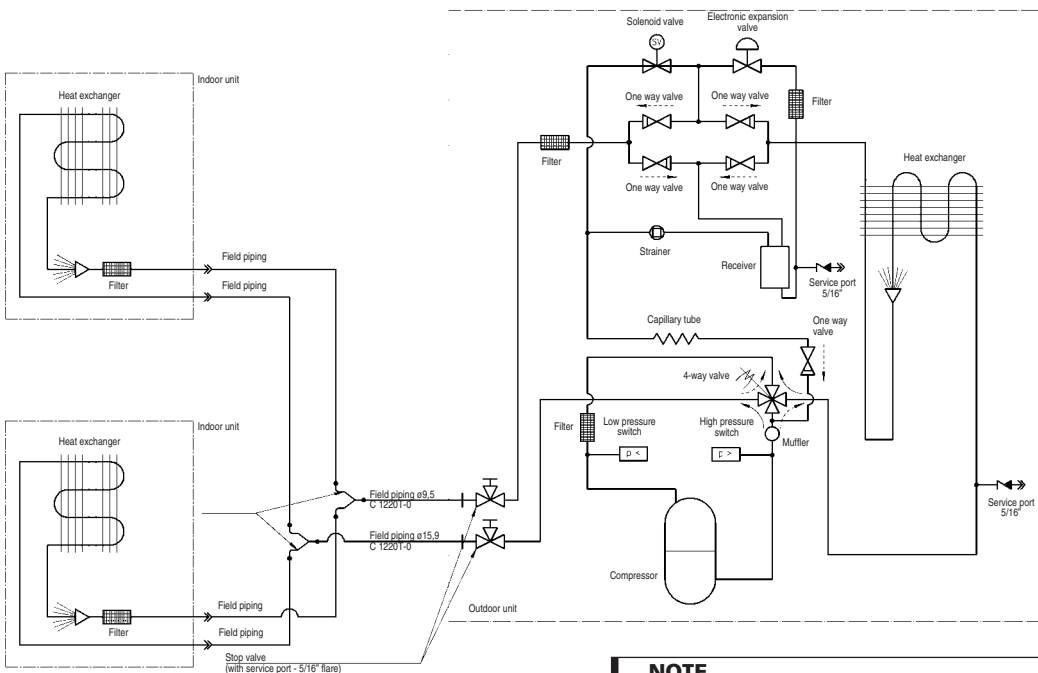
**NOTE**

1 The pipes between the branch and the indoor units should have the same size as the indoor connections.

- ↔ Check valve
- ⊕ Flexible connection
- ↔ Flare connection
- ⊕ Screw connection
- ⊕ Flange connection
- × Pinched pipe
- Spinned pipe

3TW26325-1

## RQ71-125B (twin)



**NOTE**

1 The pipes between the branch and the indoor units should have the same size as the indoor connections.

- ↔ Check valve
- ⊕ Flexible connection
- ↔ Flare connection
- ⊕ Screw connection
- ⊕ Flange connection
- × Pinched pipe
- Spinned pipe

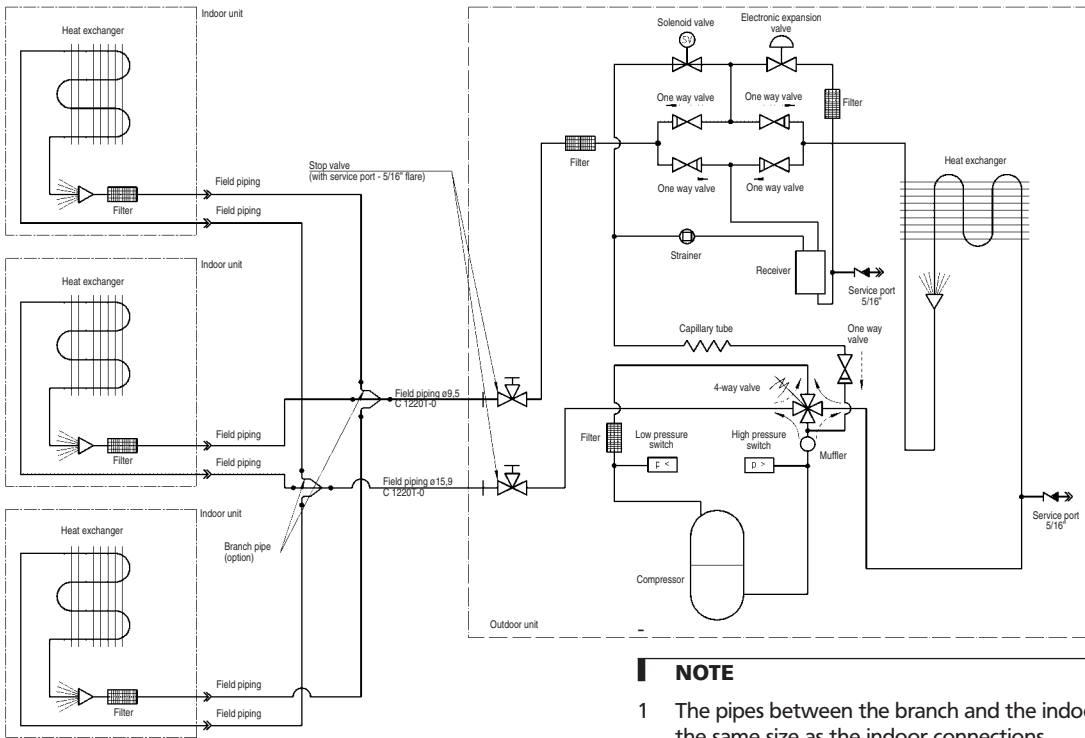
3TW26325-2



# 8 Piping diagram

8

## RQ100-125B (triple)



### NOTE

- 1 The pipes between the branch and the indoor units should have the same size as the indoor connections.

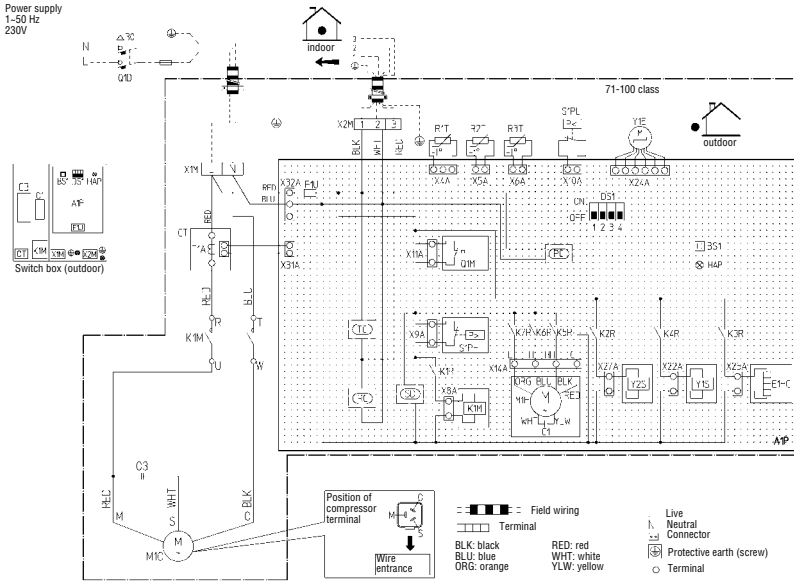
← Check valve      — Flexible connection      ← Flare connection      — Screw connection      — Flange connection      × Pinched pipe      → Spinned pipe

3TW26345-3

# 9 Wiring diagram

## 9 - 1 Wiring diagram

### RQ71-100BV3



**NOTE**

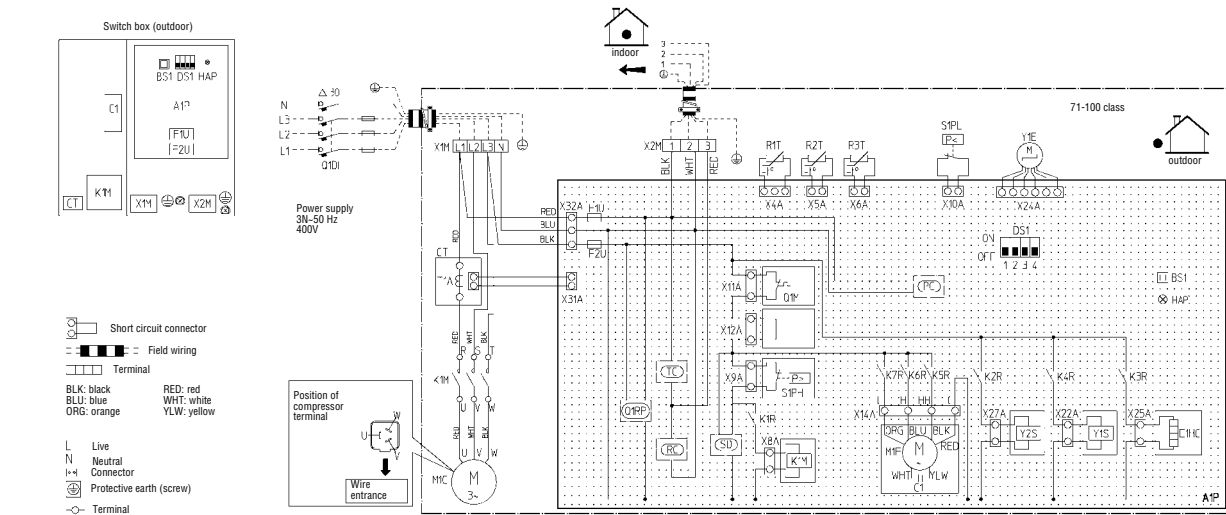
- 1 Confirm the method of setting the dip switch (DS1) by service manual. When the unit is shipped by factory all switches are set to be off.

**LEGEND**

A1P	Printed circuit board	F1U	Fuse (T6.3/250V)	K7R	Magnetic relay (M1F)	RC	pipe	Y15	(electronic)
BS1	Push button switch (forced defrost-pump down)	HAP	Light emitting diode (service monitor green)	M1C	Motor compressor	S1PH	Pressure switch (high)	Y2S	4-way valve
C1	Capacitor (M1F)	K1M	Magnetic contactor (M1C)	M1F	Motor fan	S1PL	Pressure switch (low)	CT	Solenoid valve
DS1	Dip switch	K1R	Magnetic relay (K1M)	Q1DI	Earth leakage breaker (30 mA)	SD	Safety devices input		Current transformer
E1HC	Crankcase heater	K2R	Magnetic relay (Y2S)	Q1M	Thermo switch (M1F)	T1A	Current transformer		
		K3R	Magnetic relay (E1HC)	R1T	Thermistor (Air)	TC	Signal transmission circuit		
		K4R	Magnetic relay (Y1S)	R2T	Thermistor (Coil)	X1M, X2M	Terminal strip		
		K5R, K6R,		R3T	Thermistor (Discharge)	Y1E	Expansion valve		

2TW26326-1B

### RQ71-100BW1



**LEGEND**

A1P	Printed circuit board	K1M	Magnetic contactor (M1C)	Q1M	Thermo switch (M1F)	TC	Signal transmission circuit
BS1	Push button switch (forced defrost-pump down)	K1R	Magnetic relay (K1M)	Q1RP	Phase reverse circuit	X1M, X2M	Terminal strip
C1	Capacitor (M1F)	K2R	Magnetic relay (Y2S)	R1T	Thermistor (Air)	Y1E	Expansion valve (electronic)
DS1	Dip switch	K3R	Magnetic relay (E1HC)	R2T	Thermistor (Coil)	Y15	4-way valve
E1HC	Crankcase heater	K4R	Magnetic relay (Y1S)	R3T	Thermistor (Discharge)	Y2S	Solenoid valve
F1U, F2U	Fuse (T6.3/250V)	K5R, K6R,		RC	pipe	CT	Current transformer
HAP	Light emitting diode (service monitor green)	K7R	Magnetic relay (M1F)	S1PH	Pressure switch (high)		
		M1C	Motor compressor	S1PL	Pressure switch (low)		
		M1F	Motor fan	SD	Safety devices input		
		PC	Power circuit	T1A	Current transformer		
		Q1DI	Earth leakage breaker (30mA)				

**NOTE**

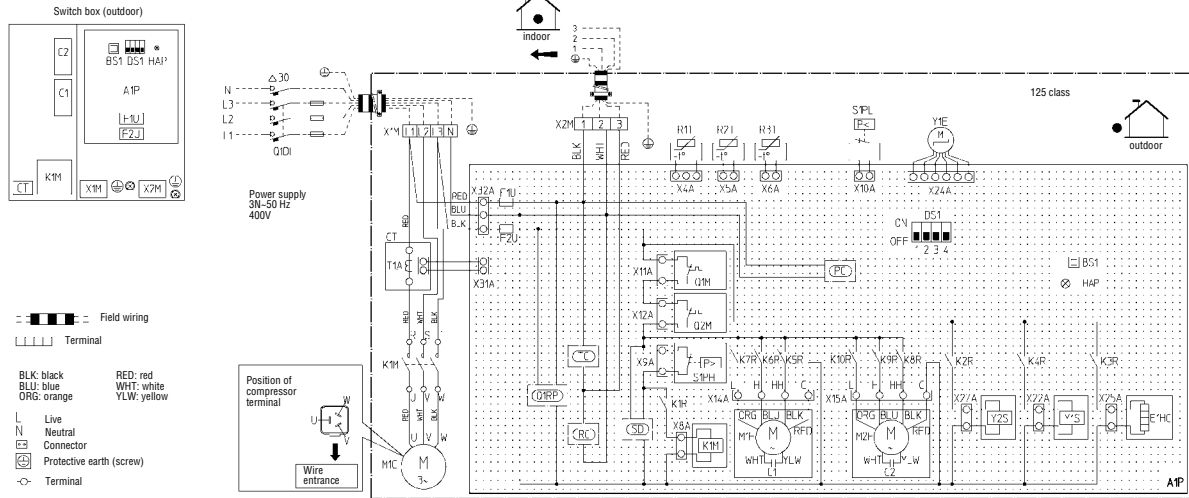
- 1 Confirm the method of setting the dip switch (DS1) by service manual. When the unit is shipped by factory all switches are set to be off.

2TW26336-1B

# 9 Wiring diagram

## 9 - 1 Wiring diagram

### RQ125BW1



#### LEGEND

A1P	Printed circuit board	K1M	(service monitor green) Magnetic contactor (M1C)	M1F, M2F	Motor fan	S1PH	Pressure switch (high)
BS1	Push button switch (forced defrost-pump down)	K1R	Magnetic relay (K1M)	PC	Power circuit	S1PL	Pressure switch (low)
C1	Capacitor (M1F)	K2R	Magnetic relay (Y2S)	Q1DI	Earth leakage breaker (30 mA)	SD	Safety devices input
C2	Capacitor (M2F)	K3R	Magnetic relay (E1HC)	Q1M	Thermo switch (M1F)	T1A	Current transformer
DS1	Dip switch	K4R	Magnetic relay (Y1S)	Q2M	Thermo switch (M2F)	TC	Signal transmission circuit
E1HC	Crankcase heater	K5R, K6R,	Magnetic relay (M1F)	Q1RP	Phase reverse circuit	X1M, X2M	Terminal strip
F1U, F2U	Fuse (T6.3/250V)	K7R, K8R, K9R,	Magnetic relay (M2F)	R1T	Thermistor (Air)	Y1E	Expansion valve (electronic)
HAP	Light emitting diode	K10R	Magnetic relay (M2F)	R2T	Thermistor (Coil)	Y15	4-way valve
		M1C	Motor compressor	R3T	Thermistor (Discharge pipe)	Y2S	Solenoid valve
				RC	Signal receiver circuit	CT	Current transformer

#### NOTE

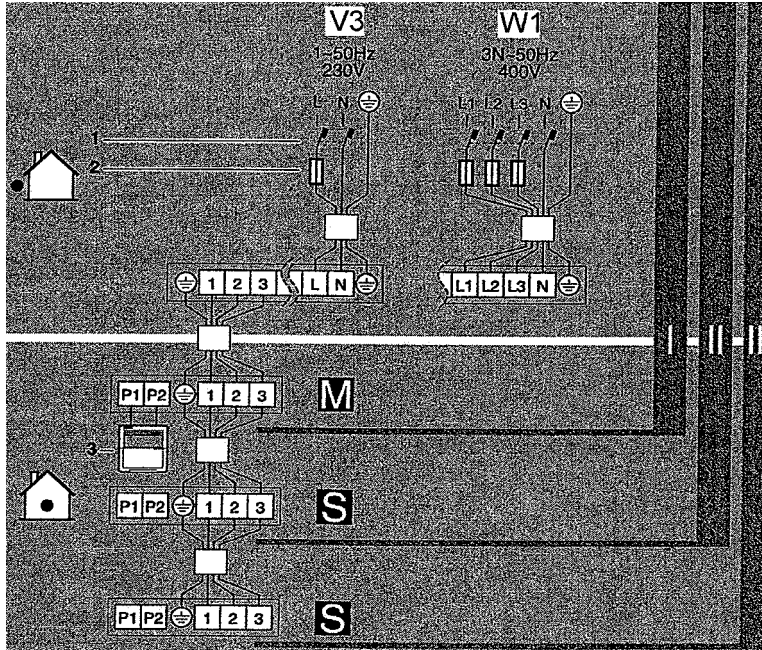
- 1 Confirm the method of setting the dip switch (DS1) by service manual. When the unit is shipped by factory all switches are set to be off.

2TW26366-1B

# 9 Wiring diagram

## 9 - 2 External connection diagram

R(Q)(R)71-125B



- |            |                       |
|------------|-----------------------|
| I Pair     | S Slave               |
| II Twin    | 1 Earth leak detector |
| III Triple | 2 Fuse                |
| M Master   | 3 Remote controller   |

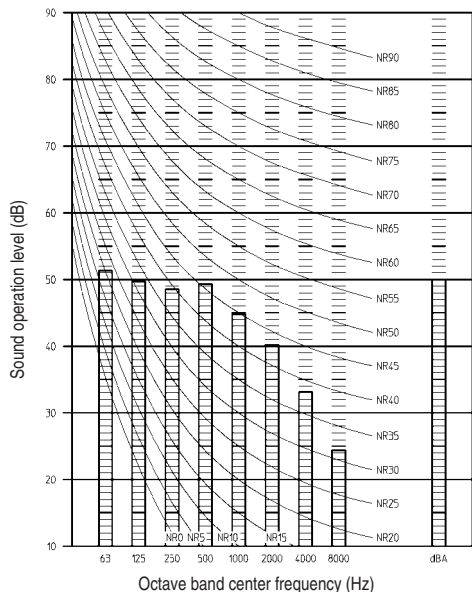
4TW26329-7

# 10 Sound data

## 10 - 1 Sound pressure spectrum

10

**RR/RQ71B Cooling**



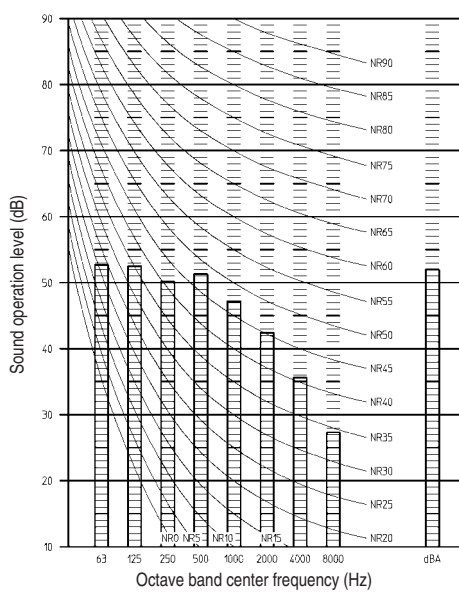
**NOTES**

- 1 Data is valid at free field condition.
- 2 Data is valid at nominal operation condition.
- 3 dBA = A-weighted sound operation level (A-scale according to IEC)
- 4 Reference acoustic pressure 0dB = 20μPa.
- 5 Curve for RQ71B and RR71B in cooling mode.

Measuring location (discharge side)

3TW26327-1

**RQ71B Heating**



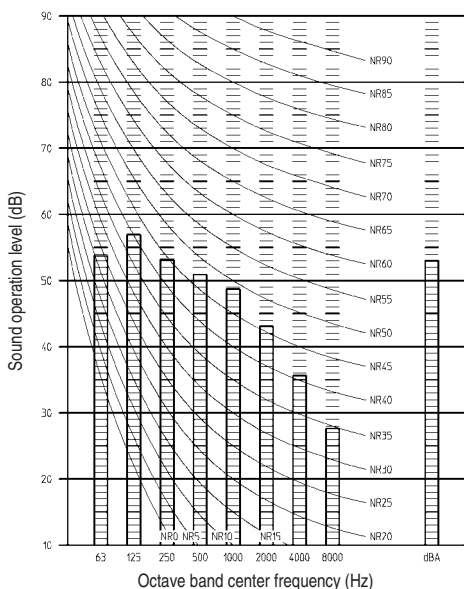
**NOTES**

- 1 Data is valid at free field condition.
- 2 Data is valid at nominal operation condition.
- 3 dBA = A-weighted sound operation level (A-scale according to IEC)
- 4 Reference acoustic pressure 0dB = 20μPa.
- 5 Curve for RQ71B in heating mode.

Measuring location (discharge side)

3TW26327-2

**RR/RQ100B Cooling**



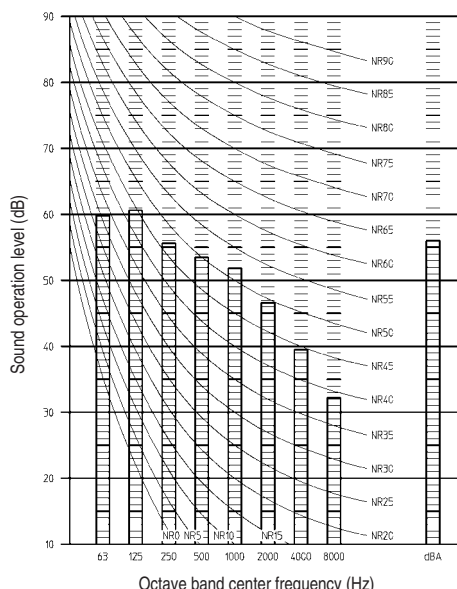
**NOTES**

- 1 Data is valid at free field condition.
- 2 Data is valid at nominal operation condition.
- 3 dBA = A-weighted sound operation level (A-scale according to IEC)
- 4 Reference acoustic pressure 0dB = 20μPa.
- 5 Curve for RQ100B and RR100B in cooling mode.

Measuring location (discharge side)

3TW26347-1

**RR/RQ100B Heating**



**NOTES**

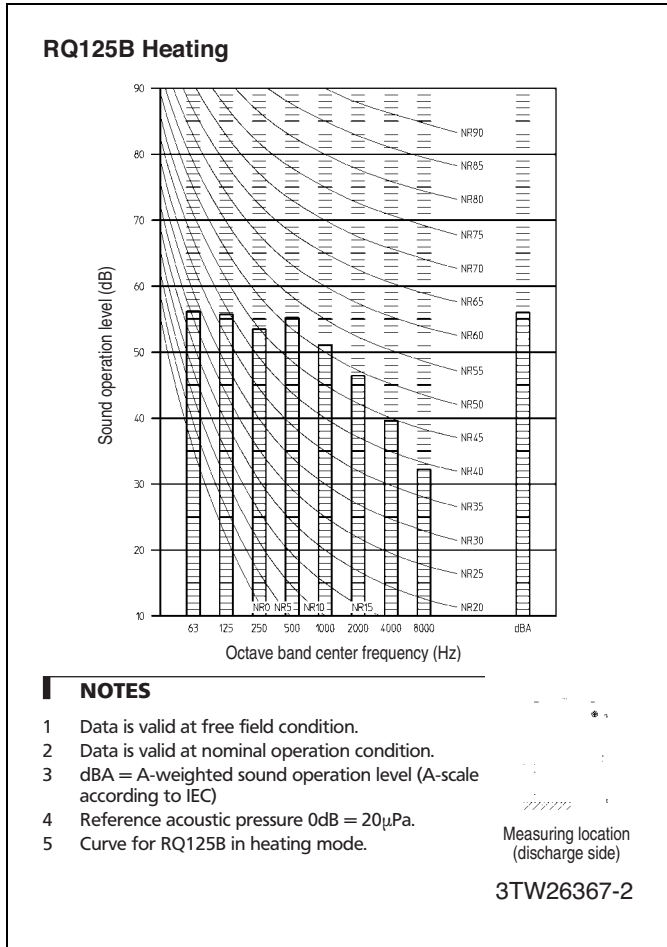
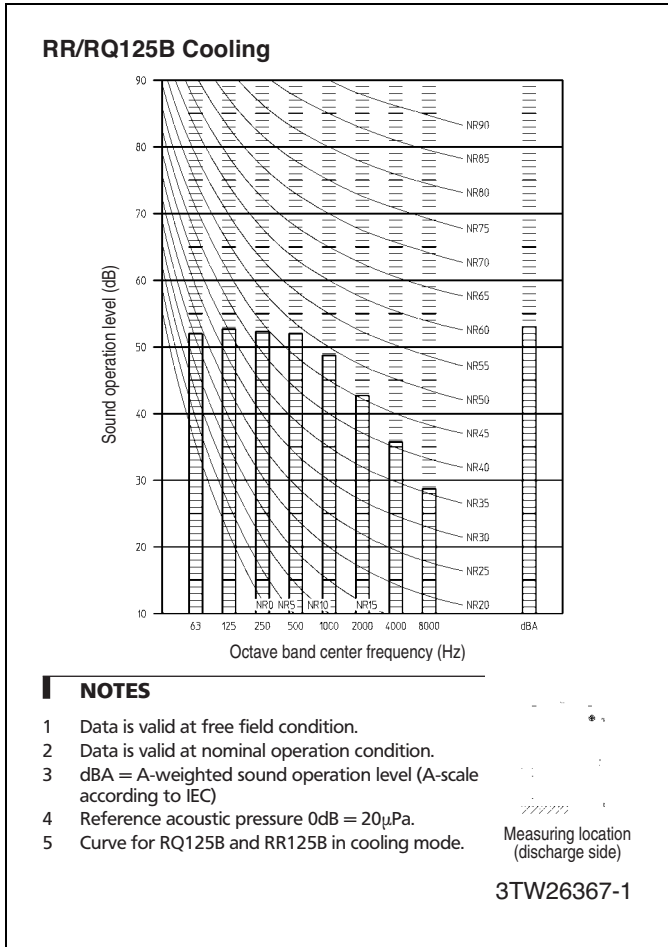
- 1 Data is valid at free field condition.
- 2 Data is valid at nominal operation condition.
- 3 dBA = A-weighted sound operation level (A-scale according to IEC)
- 4 Reference acoustic pressure 0dB = 20μPa.
- 5 Curve for RQ100B and RR100B in heating mode.

Measuring location (discharge side)

3TW26347-2

# 10 Sound data

## 10 - 1 Sound pressure spectrum

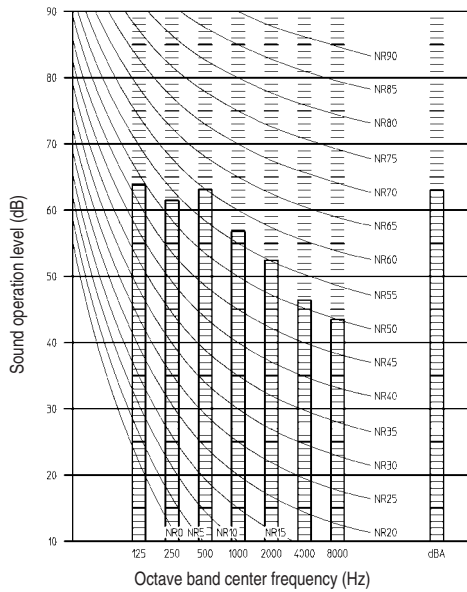


# 10 Sound data

## 10 - 2 Sound power spectrum

10

**RR/RQ71B Cooling**

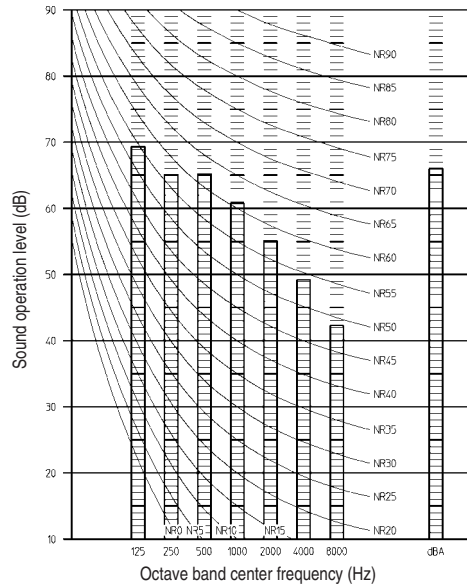


**NOTE**

- 1 Data is valid at free field condition.
- 2 Data is valid at nominal operation condition.
- 3 dBA = A-weighted sound operation level (A-scale according to IEC)
- 4 Reference acoustic pressure 0dB = 20μPa.
- 5 Curve for RQ100B and RR100B in cooling mode.

3TW26327-3

**RR/RQ100B Cooling**

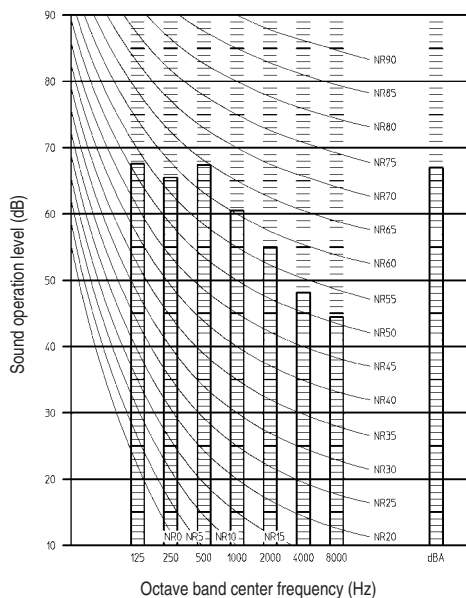


**NOTE**

- 1 Data is valid at free field condition.
- 2 Data is valid at nominal operation condition.
- 3 dBA = A-weighted sound operation level (A-scale according to IEC)
- 4 Reference acoustic pressure 0dB = 20μPa.
- 5 Curve for RQ100B and RR100B in cooling mode.

3TW26347-3

**RR/RQ125B Cooling**



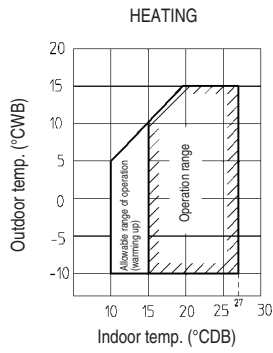
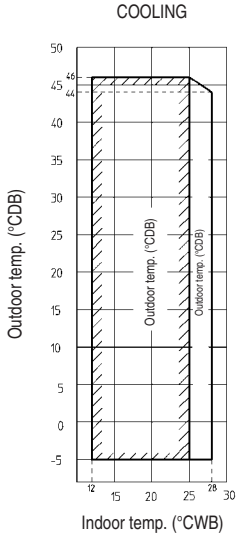
**NOTE**

- 1 Data is valid at free field condition.
- 2 Data is valid at nominal operation condition.
- 3 dBA = A-weighted sound operation level (A-scale according to IEC)
- 4 Reference acoustic pressure 0dB = 20μPa.
- 5 Curve for RQ125B and RR125B in cooling mode.

3TW26367-3

# 11 Operation range

## RQ71-125B



### NOTES

- 1 Model names:  
RQ71BV3  
RQ71BW1  
RQ100BV3  
RQ100BW1  
RQ125BW1
- 2 Depending on operation and installation conditions, the indoor unit can change over to freeze-up operation (indoor de-icing).
- 3 To reduce the freeze-up operation (indoor de-icing) frequency it is recommended to install the outdoor unit in a location not exposed to wind.

3TW26323-1



# Split - Sky Air

The present publication is drawn up by way of information only and does not constitute an offer binding upon Daikin Europe N.V.. Daikin Europe N.V. has compiled the content of this publication to the best of its knowledge. No express or implied warranty is given for the completeness, accuracy, reliability or fitness for particular purpose of its content and the products and services presented therein. Specifications are subject to change without prior notice. Daikin Europe N.V. explicitly rejects any liability for any direct or indirect damage, in the broadest sense, arising from or related to the use and/or interpretation of this publication. All content is copyrighted by Daikin Europe N.V..



ISO14001 assures an effective environmental management system in order to help protect human health and the environment from the potential impact of our activities, products and services and to assist in maintaining and improving the quality of the environment.



Daikin units comply with the European regulations that guarantee the safety of the product.



Daikin Europe N.V. is approved by LRQA for its Quality Management System in accordance with the ISO9001 standard. ISO9001 pertains to quality assurance regarding design, development, manufacturing as well as to services related to the product.



Daikin Europe N.V. is participating in the EUROVENT Certification Programme. Products are as listed in the EUROVENT Directory of Certified Products.

## **DAIKIN EUROPE N.V.**

Zandvoordestraat 300  
B-8400 Ostend - Belgium  
[www.daikineurope.com](http://www.daikineurope.com)

