

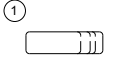
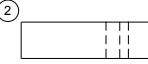
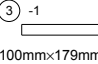
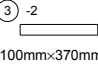
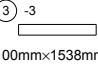


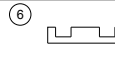

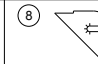
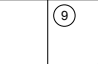
## 4.2 <KDBH44BA60> Sealing Member of Air Discharge Outlet

**Caution**

● Refer to the installation manual for both indoor unit and the decoration panel.

**Contents of kit**

Check the following parts are include with your kit.

Name	Sealing material	Tape for fixing the sealing material	Insulation for side plate			Moisture absorber for bell-mouth	Moisture absorber for swing flap
			1 piece	1 piece	1 piece		
Quantity	2 pieces	2 pieces	1 piece	1 piece	1 piece	1 piece	3 pieces
Shape			 100mm×179mm	 100mm×370mm	 100mm×1538mm		 25mm×361mm
Name	Moisture absorber for swing flap	Moisture absorber for panel edge	Moisture absorber for attached point	Moisture absorber for flesh air intake			
Quantity	3 pieces	3 pieces	1 piece	2 pieces			
Shape		 8mm×450mm		 50mm×20mm			

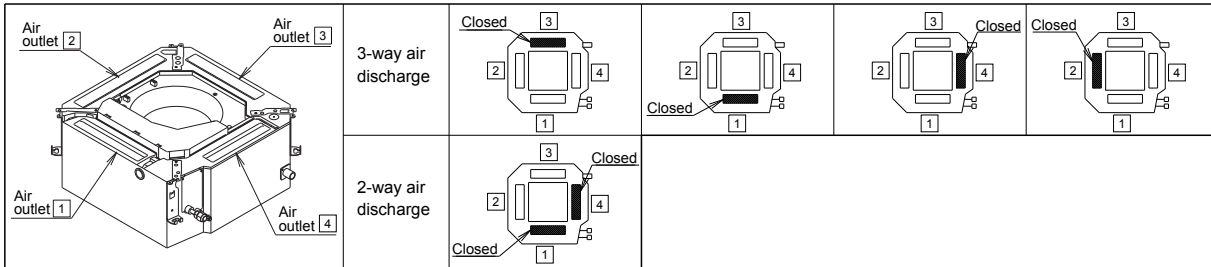
### 1 The direction of air discharge and the positioning of sealing material

(1) Selection of the air outlet

- Select the direction of air discharge from the following table according to the location of the indoor unit.  
Refer to **2 Setting for indoor unit** for setting position number.  
Refer to the installation manual attached to the indoor unit for selection of installation location.

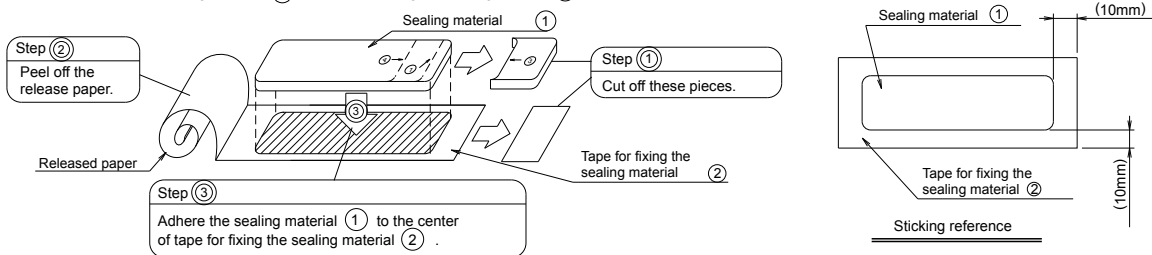
**Caution**

Never select the direction of air discharge other than the following pattern.  
(You may have a condensation problem.)



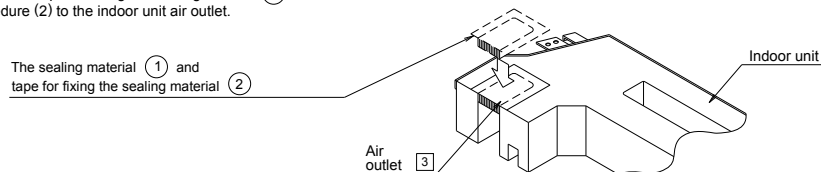
- (2) Prepare the sealing material **1** and the tape for fixing the sealing material **2** according to the air outlet No. to be closed.
- Cut off the sealing material **1** and the tape for fixing the sealing material **2** along the perforated lines (marked--).
  - Adhere the sealing material **1** to tape for fixing the sealing material **2**.  
(Make sure that the sealing material **1** is placed at the center of the tape for fixing the sealing material **2**.)

Example) For closing the air outlet **3**  
□-<How to prepare the sealing material **1** and tape for fixing the sealing material **2** >



\*When closing the air outlet **2**, it is not required to cut off the sealing material **1** and tape for fixing the sealing material **2**.

- (3) Adhere the sealing material **1** and tape for fixing the sealing material **2** prepared according to the procedure (2) to the indoor unit air outlet.



Adhering the sealing material for air outlet

**2** Setting for indoor unit

It is required to make a field setting from the remote controller according to how the indoor units are installed. The direction of air discharge must also be set by the remote controller.

- The 3 different kinds of setting such as "Mode number", "The setting switch number" and "The setting position number" must be made by the remote controller.
- Refer to the item of "Field setting" in the operation manual of the remote controller for the setting procedure.  
Setting according to number of use of the air discharge.  
Check the setting position number corresponding to the direction of air discharge in a table, below.

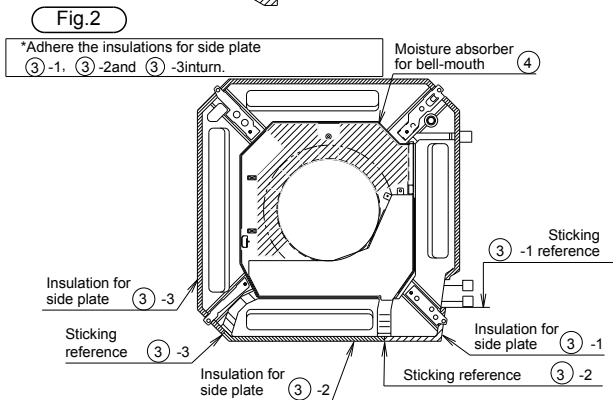
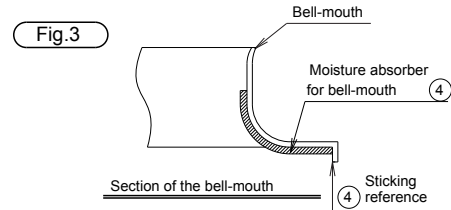
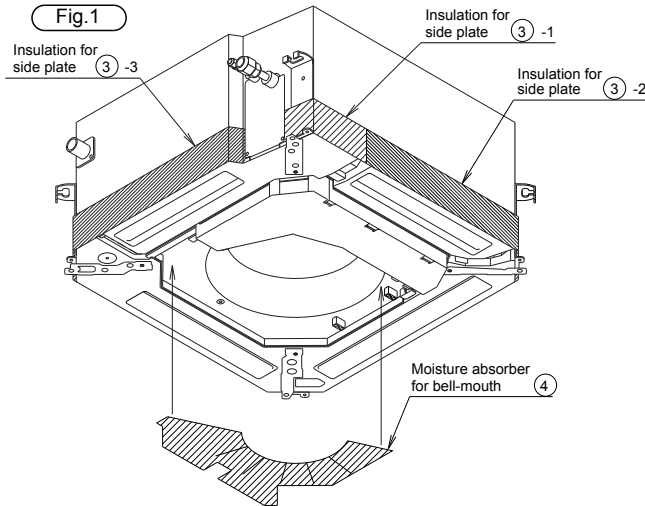
(Content of setting)

(Number of use of air outlets)	Mode number	The setting switch number	The setting position number
3-way air discharge	13(23)	1	02
2-way air discharge			03

**3** Installation of the insulation

Please turn off the power supply for safety absolutely, before you do installation of the decoration panel and affixation of insulation and connected work of swing connector.

- (1) Adhere the insulations for side plate (3) in position, referring (Fig.1) (Fig.2).
- (2) Adhere the moisture absorber for bell-mouth (4) on the inner surface of the bell-mouth.  
See (Fig.1) (Fig.2) (Fig.3).



\*Adhere the insulations for side plate (3) -1, (3) -2 and (3) -3 in turn.

- (4) Confirm the air outlet and number to remain open on the panel. See (Fig.4).
- (3) Confirm the air outlet and number to remain open on the panel. See (5) (6) aligning with the upper edge of the swing flap on the air outlet. And, adhere the moisture absorbers for panel edge (7) with the panel edge on the air outlet. See (Fig.5).
- (5) Confirm the air outlet and number to remain open on the panel. See (8) with the attached point to indoor unit between the air outlet (2) and (3). And, adhere the moisture absorbers for flesh air intake (9) with the flesh air intake hole. See (Fig.6).

Fig.4

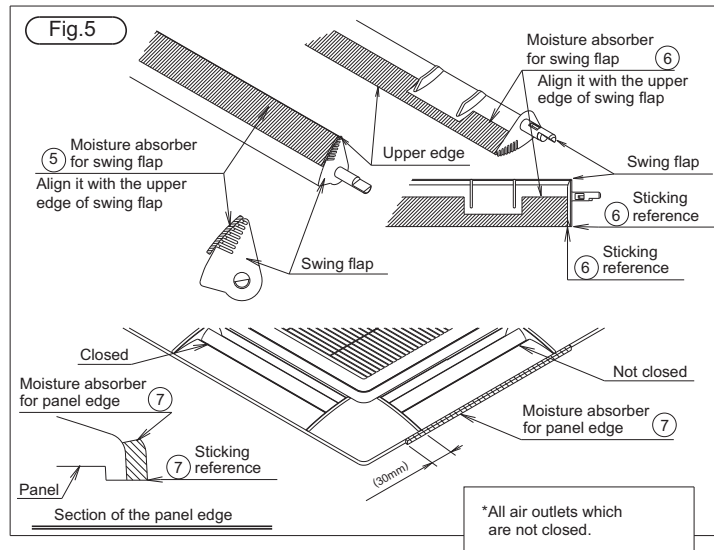
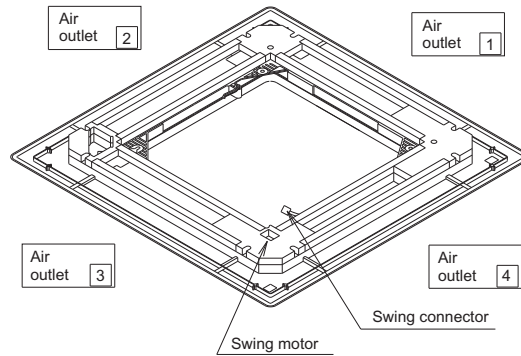
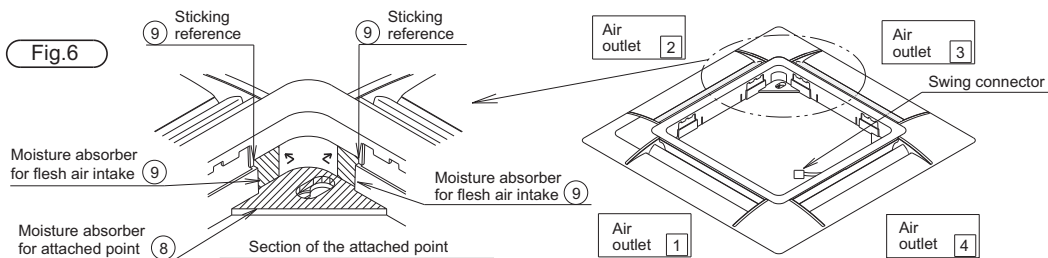


Fig.6



1P109292-1B