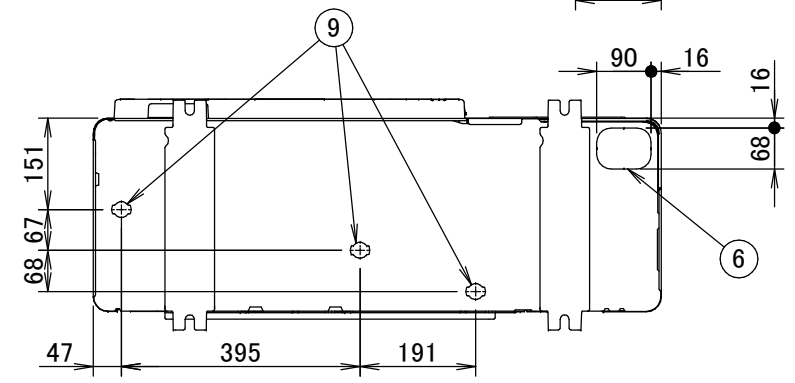
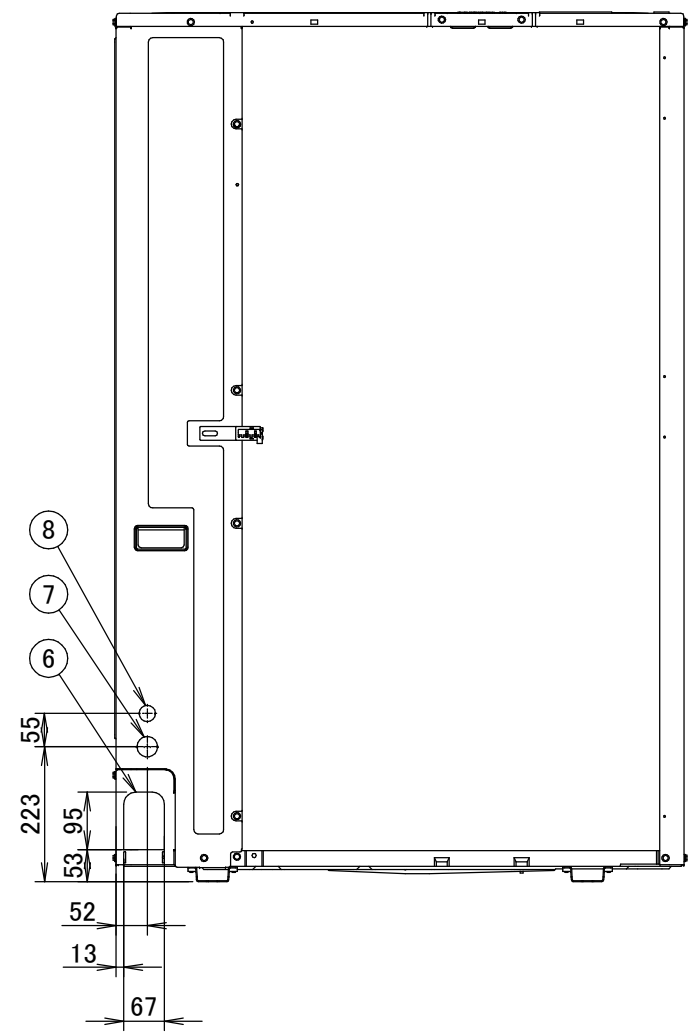
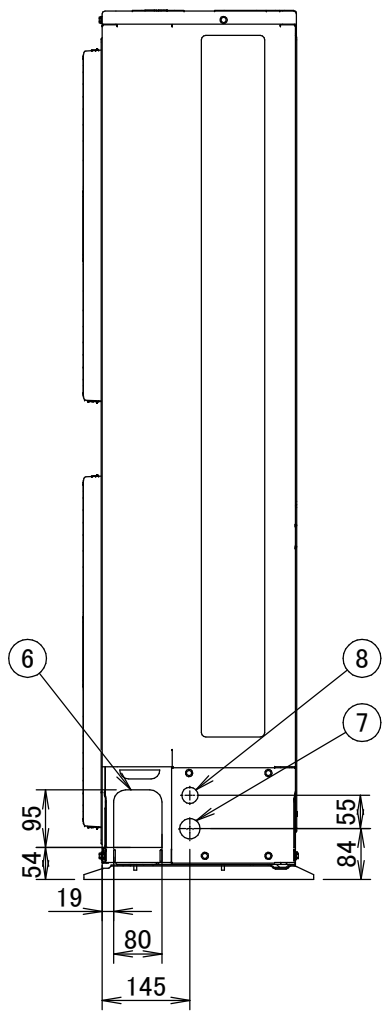
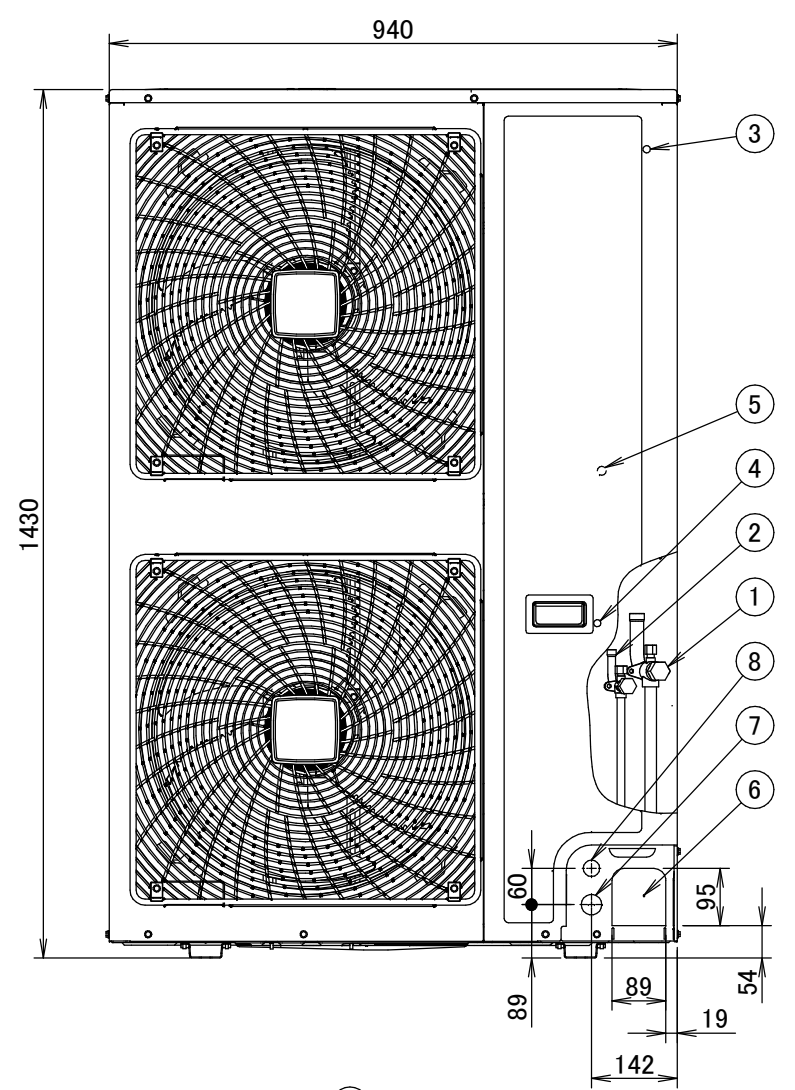
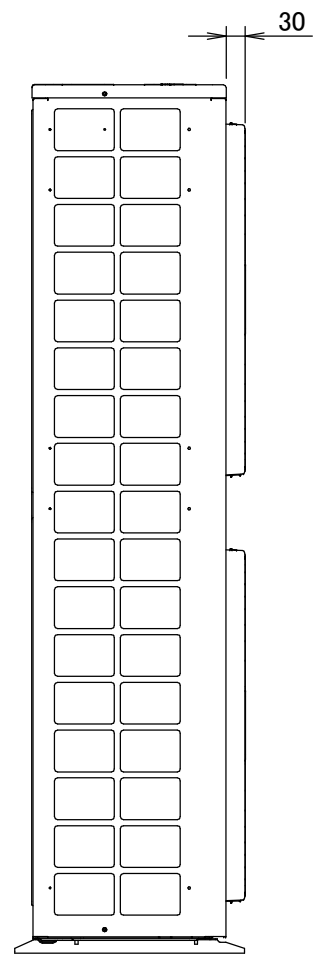
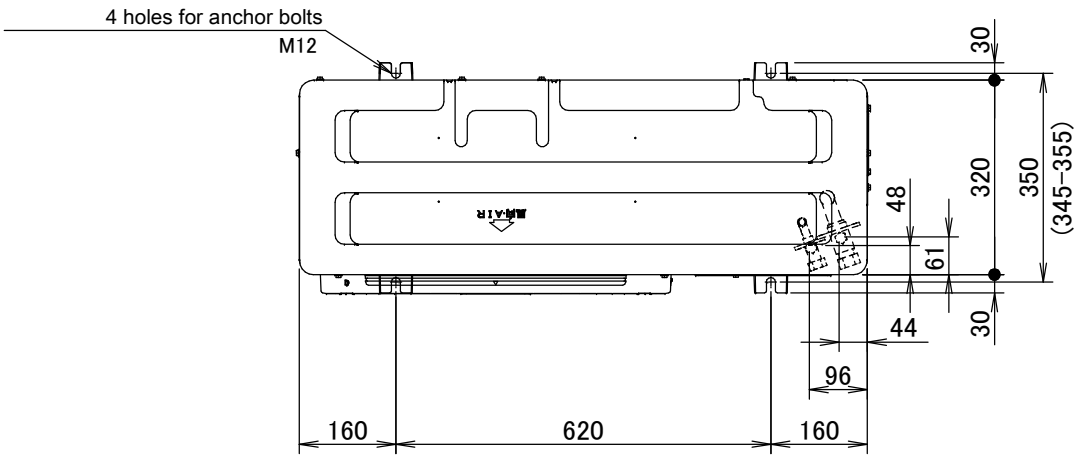


RXYSQ8TY1



- ① Gas pipe connection Ø19.1 brazing
- ② Liquid pipe connection Ø9.52 brazing
- ③ Service port (in the unit)
High pressure
- ④ Service port (in the unit)
Additional refrigerant charge
- ⑤ Grounding terminal
Inside of the switch box (M5)
- ⑥ Refrigerant piping intake (knockout hole)
- ⑦ Power supply wiring intake (knockout hole Ø34)
- ⑧ Control wiring intake (knockout hole Ø27)
- ⑨ Drain pipe connection (outside diameter Ø26)