



Air Conditioning Technical Data



EEDEN15-100

RXB-C

TABLE OF CONTENTS

RXB-C

1	Features	2
2	Specifications	3
	Capacity and Power input	3
	Technical Specifications	3
	Electrical Specifications	5
3	Electrical data.....	6
4	Capacity tables	7
	Cooling/Heating Capacity Tables	7
5	Dimensional drawings	12
6	Centre of gravity	13
7	Piping diagrams	15
8	Wiring diagrams	17
	Wiring Diagrams - Single Phase	17
9	Sound data	19
	Sound Pressure Spectrum	19
10	Operation range	22

1 Features

- Seasonal efficiency values up to A+
- Heat pumps are all-in-one heating & cooling solutions for residential & commercial applications. They extract thermal energy from the ambient air and are therefore more energy efficient and emit far less CO2 than comparable fossil fuel based boiler systems.
- Daikin outdoor units are equipped with an anti-corrosion treated heat exchanger (blue fin) which ensures greater resistance to the most severe weather conditions
- Outdoor units for pair application
- Wide range of units offers maximum application potential
- Daikin outdoor units are neat, sturdy and can easily be mounted on a roof or terrace or simply placed against an outside wall

1



Inverter

2 Specifications

2-1 Capacity and Power input				FTXB20C/RXB20C	FTXB25C/RXB25C	FTXB35C/RXB35C	FTXB50C/RXB50C	FTXB60C/RXB60C
Indoor unit				FTXB20C	FTXB25C	FTXB35C	FTXB50C	FTXB60C
Outdoor unit				RXB20C	RXB25C	RXB35C	RXB50C	RXB60C
Cooling capacity	Min.	kW	1.3			1.630	1.750	
		Btu/h	4,400			5,600	6,000	
		kcal/h	1,120			1,411.18	1,511.97	
	Nom.	kW	2.0 (1)	2.5 (1)	3.3 (1)	5.480 (1)	6.230 (1)	
		Btu/h	6,800 (1)	8,500 (1)	11,300 (1)	18,700 (1)	21,300 (1)	
		kcal/h	1,720 (1)	2,150 (1)	2,840 (1)	4,712.3	5,367.51	
	Max.	kW	2.6	3.0	3.8	6.200	6.500	
		Btu/h	8,900	10,200	13,000	21,200	22,200	
		kcal/h	2,240	2,580	3,270	5,342.31	5,594.31	
Heating capacity	Min.	kW	1.3			1.170	1.200	
		Btu/h	4,400			4,000	4,100	
		kcal/h	1,120			1,007.98	1,033.18	
	Nom.	kW	2.5 (1)	2.8 (1)	3.5 (1)	5.620 (1)	6.400 (1)	
		Btu/h	8,500 (1)	9,600 (1)	11,900 (1)	19,200 (1)	21,800 (1)	
		kcal/h	2,150 (1)	2,410 (1)	3,010 (1)	4,838.32	5,493.51	
	Max.	kW	3.5	4.0	4.8	6.600	7.100	
		Btu/h	11,900	13,600	16,400	22,500	24,200.0	
		kcal/h	3,010	3,440	4,130	5,669.9	6,098.3	
Power input	Cooling	Min.	kW	0.310		0.290	0.280	
		Nom.	kW	0.510 (1)	0.770 (1)	1.030 (1)	1.700 (1)	1.931 (1)
		Max.	kW	0.720	1.050	1.300	1.910	2.000
	Heating	Min.	kW	0.250		0.290	0.240	
		Nom.	kW	0.600 (1)	0.700 (1)	0.940 (1)	1.500 (1)	1.680 (1)
		Max.	kW	0.950	1.110	1.290	1.880	2.000
Seasonal efficiency (according to EN14825)	Cooling	Energy label		A+				
		Pdesign	kW	2.00	2.50	3.30	5.48	6.23
		SEER		5.98	6.02	6.05	5.93	6.09
		Annual energy consumption	kWh	117	145	191	324	359
	Heating (Average climate)	Energy label		A+				
		Pdesign	kW	2.20	2.40	2.80	3.64	3.80
		SCOP		4.10	4.01	4.06	4.27	4.06
		Annual energy consumption	kWh	751	838	966	1,195	1,311
Piping connections	Liquid	OD	mm	6.35			-	
	Gas	OD	mm	9.5			-	
	Drain	OD	mm	18			-	
	Heat insulation			Both liquid and gas pipes				-
Current	Nominal running current (RLA) - 50Hz	Cooling	A	2.5	3.82	5.5	7.51	8.52
		Heating	A	3.0	3.2	4.7	6.65	7.46
Nominal efficiency	EER			3.94 (2)	3.25 (2)	3.21 (2)	3.22 (2)	3.23 (2)
	COP			4.19 (2)	4.01 (2)	3.71 (2)	3.75 (2)	3.81 (2)
	Annual energy consumption		kWh	254	385	514	851	964
	Energy label	Cooling		A				
		Heating		A				

Notes

(1) Nominal efficiency: cooling at 35°/27° nominal load, heating at 7°/20° nominal load

(2) EER/COP according to Eurovent 2012, for use outside EU only

2-2 Technical Specifications				RXB20C	RXB25C	RXB35C	RXB50C	RXB60C
Capacity control	Method			Inverter controlled				
Casing	Colour			Ivory white				

2 Specifications

2-2 Technical Specifications				RXB20C	RXB25C	RXB35C	RXB50C	RXB60C	
Dimensions	Unit	Height	mm	550			753		
		Width	mm	658			855		
		Depth	mm	275			328		
	Packed unit	Height	mm	616			793		
		Width	mm	790			990		
		Depth	mm	360			415		
Weight	Unit	kg		28	30		44		
	Packed unit	kg		31	33		-		
Packing	Weight	kg		3			-		
Heat exchanger	Length		mm	670		647		-	
	Rows	Quantity		1		2			
	Fin pitch		mm	1.4			-		
	Face area		m ²	-			0.62		
	Stages	Quantity		24			-		
	Tube type		ø7 Hi-XA						
	Tube material		-						
	Tube diameter		mm	-			7		
	Fin	Type		Waffle fin (PE)			Aluminium (Corrugated)		
	Compressor	Model		1YC23AUXDC					
Type		Hermetically sealed swing compressor							
Output		W	750			-			
Oil Type		-							
Fan	Type			Propeller fan					
	Air flow rate	Cooling	High	m ³ /min	29.2		27.6		-
				cfm	1,030		975		-
			Nom.	m ³ /min	-			50.88	
				cfm	-			1,796	
		Heating	High	m ³ /min	26.2		24.5		-
				cfm	927		865		-
			Nom.	m ³ /min	-			50.88	
				cfm	-			1,796	
	Super low	m ³ /min	-						
		cfm	-						
	Running current	Cooling	Standard	A	-			0.77	
				A	-			0.77	
	Fan motor	Model			D50Q-28			Induction	
Index of Protection			-			23			
Insulation grade			-			F			
Poles			-			8			
Output		W	50			61			
Drive			-			Direct drive			
Speed		Cooling	High	rpm	840			-	
				rpm	720			-	
			Super low	rpm	-				
		Heating	High	rpm	840			-	
	rpm			720			-		
	Super low		rpm	-					
Sound power level	Cooling		dBA	60		62		64	
	Heating		dBA	61		62		-	
Sound pressure level	Cooling	High	dBA	46		48		-	
		Nom.	dBA	-			51		
	Heating	High	dBA	47		48		-	
		Nom.	dBA	-			51		

2 Specifications

2-2 Technical Specifications					RXB20C	RXB25C	RXB35C	RXB50C	RXB60C	
Operation range	Cooling	Ambient	Min.	°CDB	-10					
			Max.	°CDB	46					
	Heating	Ambient	Min.	°CWB	-15					
			Max.	°CWB	18					
Refrigerant	Type				R-410A					
	Charge			kg	0.74	1.0	1.45			
				TCO _{2eq}	1.5	2.1	3.0			
GWP				2,087.5						
Refrigerant oil	Type				FVC50K			-		
	Charged volume			l	0.375			-		
Piping connections	Liquid	Type			-				Flare valve	
		OD		mm	6.35					
	Gas	Type			-				Flare valve	
		OD		mm	9.5			12.70	15.90	
	Drain	ID		mm	-					
		OD		mm	18			-		
	Piping length	OU - IU	Max.	m	-				30	
		System	Chargeless	m	-				7.5	
Heat insulation				Both liquid and gas pipes				-		

2-3 Electrical Specifications					RXB20C	RXB25C	RXB35C	RXB50C	RXB60C
Power supply	Name				V1				
	Phase				1~				
	Frequency			Hz	50				
	Voltage			V	220-240				
Current	Nominal running current (RLA)	Cooling	A	2.34	3.69	5.34	-		
		Heating	A	2.82	3.05	4.52	-		
	Starting current	Cooling	A	3.0	3.7	5.2	-		
		Heating	A	3.0	3.7	5.2	-		
Current - 50Hz	Maximum fuse amps (MFA)		A	16			-		
Current - 60Hz	Maximum fuse amps (MFA)		A	-					

Notes

SL: The silent fan level of the air flow rate setting

Contains fluorinated greenhouse gases

3 Electrical data

3 - 1 Electrical Data

3

RXB20-35C

Unit combination restrictions		Power supply				COMP		OFM		IFM		
Indoor	Outdoor	1	2	3	MCA	MFA	RHz	RLA	kW	FLA	kW	FLA
FTXB20C2V1B	RXB20C2V1B	50 50 50	220 230 240	MAX. 50Hz 264V MIN. 50Hz 198V	13,71	16	36	2,2	0,033	0,17	0,016	0,12
FTXB25C2V1B	RXB25C2V1B	50 50 50	220 230 240	MAX. 50Hz 264V MIN. 50Hz 198V	13,71	16	48	3,2	0,033	0,17	0,016	0,12
FTXB35C2V1B	RXB35C2V1B	50 50 50	220 230 240	MAX. 50Hz 264V MIN. 50Hz 198V	13,71	16	70	4,7	0,033	0,17	0,016	0,12

Notes

- 1 The RLA is based on the following conditions.
Indoor temperature 27°C DB / 19°C WB
Outdoor temperature 35°C DB
- 2 Select the wire size according to the MCA.
- 3 The maximum allowable voltage that is unbalanced between phases is -2%.
- 4 Use a circuit breaker instead of a fuse.

Symbols

- | | |
|--------------------------------|------------------------------------|
| 1 Hz | OFM Outdoor fan motor |
| 2 Voltage | IFM Indoor fan motor |
| 3 Voltage range | FLA Full Load Ampere (A) |
| MCA Minimum Circuit Ampere (A) | kW Fan motor rated output [kW] |
| MFA Maximum Fuse Ampere (A) | RHz Rated operating frequency [Hz] |
| RLA Rated load amps [A] | |

3D092100-A

RXB50-60C

Representative unit combination		Power supply				Comp.		OFM		IFM	
Indoor unit	Outdoor unit	Hz-volts	Voltage range	MCA	MFA	RHz	RLA	W	FLA	W	FLA
FTXB50CV1B	RXB50CV1B	50 - 220 50 - 230 50 - 240	Max. 50Hz 264V Min. 50Hz 198V	20	20	76	6.34	61	0.77	40	0.32
FTXB60CV1B	RXB60CV1B	50 - 220 50 - 230 50 - 240	Max. 50Hz 264V Min. 50Hz 198V	20	20	82	7.2	61	0.77	40	0.56

SYMBOLS

- MCA : Min. Circuit Amps. (A)
MFA : Max. Fuse Amps (A)
RLA : Rated Load Amps. (A)
OFM : Outdoor Fan Motor.
IFM : Indoor Fan Motor.
FLA : Full Load Amps. (A)
W : Fan Motor Rated Output (W)
RHz : Rated operating frequency (Hz)

4 Capacity tables

4 - 1 Cooling/Heating Capacity Tables

FTXB20C2V1B + RXB20C2V1B

AFR	9,1
BF	0,24

Cooling 220-240V 50Hz

1	2	3																	
		20			25			30			32			35			40		
		TC	SHC	PI	TC	SHC	PI	TC	SHC	PI	TC	SHC	PI	TC	SHC	PI	TC	SHC	PI
20	14	2,05	1,71	0,44	1,96	1,67	0,48	1,86	1,62	0,52	1,83	1,61	0,54	1,77	1,58	0,56	1,68	1,54	0,60
22	16	2,14	1,68	0,44	2,05	1,64	0,49	1,95	1,60	0,53	1,92	1,59	0,54	1,86	1,56	0,57	1,77	1,52	0,61
25	18	2,23	1,79	0,45	2,14	1,75	0,49	2,05	1,71	0,53	2,01	1,70	0,54	1,95	1,68	0,57	1,86	1,64	0,61
27	19	2,28	1,91	0,45	2,19	1,88	0,49	2,09	1,84	0,53	2,06	1,83	0,55	2,00	1,80	0,51	1,91	1,77	0,61
30	22	2,42	1,85	0,45	2,32	1,82	0,49	2,23	1,79	0,53	2,19	1,78	0,55	2,14	1,76	0,57	2,05	1,73	0,61
32	24	2,51	1,81	0,45	2,42	1,78	0,49	2,32	1,76	0,54	2,29	1,74	0,55	2,23	1,73	0,58	2,14	1,70	0,62

AFR	9,4
-----	-----

Heating 220-240V 50Hz

1	4									
	-10		-5		0		6		10	
	TC	PI	TC	PI	TC	PI	TC	PI	TC	PI
15	1,68	0,51	1,97	0,53	2,25	0,56	2,59	0,59	2,81	0,61
20	1,60	0,52	1,88	0,55	2,16	0,57	2,50	0,60	2,73	0,62
22	1,56	0,53	1,84	0,55	2,13	0,58	2,47	0,61	2,69	0,62
24	1,53	0,53	1,81	0,56	2,09	0,58	2,43	0,61	2,66	0,63
25	1,51	0,54	1,79	0,56	2,07	0,58	2,41	0,61	2,64	0,63
27	1,48	0,54	1,76	0,57	2,04	0,59	2,38	0,62	2,61	0,64

Notes

- The capacities are based on the following conditions:
Corresponding refrigerant piping length: 5.0 m
Level difference: 0m
- The bold cells indicate the standard conditions.
Rated operating frequency [Hz]

Symbols

- TC: Total capacity [kW]
 PI: Power input [kW]
 SHC: Sensible heat capacity [kW]
 AFR: Air flow rate [m³/min]
 BF: Bypass factor

- Indoor air temperature [°C DB]
- Indoor air temperature [°C WB]
- Outdoor air temperature [°C DB]
- Outdoor air temperature [°C WB]

3D093266

4 Capacity tables

4 - 1 Cooling/Heating Capacity Tables

FTXB25C2V1B + RXB25C2V1B

AFR	9,2
BF	0,29

Cooling 220-240V 50Hz

1	2	3																	
		20			25			30			32			35			40		
		TC	SHC	PI	TC	SHC	PI	TC	SHC	PI	TC	SHC	PI	TC	SHC	PI	TC	SHC	PI
20	14	2,15	1,72	0,57	2,15	1,72	0,64	2,15	1,72	0,72	2,15	1,72	0,75	2,15	1,72	0,79	2,10	1,69	0,86
22	16	2,68	1,89	0,62	2,56	1,83	0,68	2,44	1,78	0,74	2,40	1,76	0,76	2,33	1,72	0,80	2,21	1,67	0,86
25	18	2,79	1,98	0,63	2,68	1,93	0,68	2,56	1,88	0,74	2,51	1,86	0,77	2,44	1,83	0,80	2,33	1,78	0,86
27	19	2,85	2,09	0,63	2,73	2,04	0,68	2,62	1,99	0,75	2,57	1,97	0,77	2,50	1,94	0,77	2,38	1,90	0,86
30	22	3,02	2,02	0,63	2,91	1,97	0,69	2,79	1,93	0,75	2,74	1,91	0,77	2,67	1,89	0,80	2,56	1,85	0,87
32	24	3,14	1,96	0,64	3,02	1,92	0,69	2,90	1,89	0,75	2,86	1,87	0,78	2,79	1,85	0,81	2,67	1,81	0,87

AFR	9,7
-----	-----

Heating 220-240V 50Hz

1	4									
	-10		-5		0		6		10	
	TC	PI	TC	PI	TC	PI	TC	PI	TC	PI
15	1,88	0,59	2,20	0,62	2,52	0,65	2,90	0,68	3,15	0,71
20	1,79	0,61	2,10	0,64	2,42	0,67	2,80	0,70	3,05	0,72
22	1,75	0,62	2,07	0,64	2,38	0,67	2,76	0,71	3,01	0,73
24	1,71	0,62	2,03	0,65	2,34	0,68	2,72	0,71	2,98	0,74
25	1,69	0,62	2,01	0,65	2,32	0,68	2,70	0,72	2,96	0,74
27	1,65	0,63	1,97	0,66	2,29	0,69	2,66	0,72	2,92	0,74

Notes

- The capacities are based on the following conditions:
Corresponding refrigerant piping length: 5.0 m
Level difference: 0m
- The bold cells indicate the standard conditions.
Rated operating frequency [Hz]

Symbols

- TC: Total capacity [kW]
- PI: Power input [kW]
- SHC: Sensible heat capacity [kW]
- AFR: Air flow rate [m³/min]
- BF: Bypass factor

- Indoor air temperature [°C DB]
- Indoor air temperature [°C WB]
- Outdoor air temperature [°C DB]
- Outdoor air temperature [°C WB]

3D093267

4 Capacity tables

4 - 1 Cooling/Heating Capacity Tables

FTXB35C2V1B + RXB35C2V1B

AFR	9,3
BF	0,25

Cooling 220-240V 50Hz

1	2	3																	
		20			25			30			32			35			40		
		TC	SHC	PI	TC	SHC	PI	TC	SHC	PI	TC	SHC	PI	TC	SHC	PI	TC	SHC	PI
20	14	2,30	1,83	0,72	2,30	1,83	0,82	2,30	1,83	0,90	2,30	1,83	0,93	2,30	1,83	0,97	2,30	1,83	1,04
22	16	3,07	2,11	0,75	3,07	2,11	0,83	3,07	2,11	0,90	3,07	2,11	0,93	3,07	2,11	0,97	2,92	2,04	1,05
25	18	3,68	2,43	0,76	3,53	2,36	0,83	3,38	2,29	0,91	3,32	2,26	0,93	3,22	2,22	0,98	3,07	2,15	1,05
27	19	3,76	2,54	0,76	3,61	2,48	0,84	3,45	2,41	0,91	3,39	2,38	0,94	3,30	2,34	1,03	3,15	2,27	1,05
30	22	3,99	2,45	0,77	3,84	2,39	0,84	3,68	2,32	0,91	3,62	2,30	0,94	3,53	2,27	0,99	3,37	2,21	1,06
32	24	4,14	2,38	0,77	3,99	2,32	0,85	3,83	2,26	0,92	3,77	2,24	0,95	3,68	2,21	0,99	3,53	2,16	1,06

AFR	10,1
-----	------

Heating 220-240V 50Hz

1	4											
	-10		-5		0		6		10			
	TC	PI	TC	PI	TC	PI	TC	PI	TC	PI		
15	2,36	0,80	2,75	0,83	3,15	0,87	3,62	0,92	3,94	0,95		
20	2,24	0,82	2,63	0,86	3,03	0,89	3,50	0,94	3,82	0,97		
22	2,19	0,83	2,58	0,86	2,98	0,90	3,45	0,95	3,77	0,98		
24	2,14	0,83	2,53	0,87	2,93	0,91	3,40	0,96	3,72	0,99		
25	2,11	0,84	2,51	0,88	2,90	0,91	3,38	0,96	3,70	0,99		
27	2,07	0,85	2,46	0,89	2,86	0,92	3,33	0,97	3,65	1,00		

Notes

- The capacities are based on the following conditions:
 Corresponding refrigerant piping length: 5.0 m
 Level difference: 0m
- The bold cells indicate the standard conditions.
 Rated operating frequency [Hz]

Symbols

- TC: Total capacity [kW]
- PI: Power input [kW]
- SHC: Sensible heat capacity [kW]
- AFR: Air flow rate [m³/min]
- BF: Bypass factor

- Indoor air temperature [°C DB]
- Indoor air temperature [°C WB]
- Outdoor air temperature [°C DB]
- Outdoor air temperature [°C WB]

3D093270

4 Capacity tables

4 - 1 Cooling/Heating Capacity Tables

FTXB50CV1B + RXB50CV1B

Cooling capacity table

AFR (CFM)	EWB	EDB	Outdoor temperature																	
			19°C			25°C			30°C			35°C			40°C			46°C		
			TC	SHC	PI	TC	SHC	PI	TC	SHC	PI	TC	SHC	PI	TC	SHC	PI	TC	SHC	PI
507	16°C	21°C	5.87	4.05	1.47	5.67	3.94	1.59	5.46	3.83	1.72	5.24	3.72	1.86	4.81	3.47	2.02	4.44	3.26	2.23
		24°C	5.88	4.84	1.47	5.67	4.73	1.59	5.46	4.62	1.72	5.25	4.51	1.86	4.82	4.21	2.02	4.46	3.97	2.23
		27°C	5.93	5.49	1.47	5.73	5.37	1.59	5.53	5.24	1.72	5.32	5.11	1.87	4.91	4.75	2.03	4.57	4.46	2.24
		30°C	6.11	6.11	1.48	5.94	5.94	1.60	5.76	5.76	1.73	5.57	5.57	1.88	5.16	5.16	2.05	4.83	4.83	2.26
		24°C	6.48	3.78	1.49	6.25	3.68	1.61	6.02	3.58	1.75	5.78	3.48	1.90	5.32	3.24	2.06	4.91	3.05	2.27
		27°C	6.48	4.32	1.49	6.26	4.22	1.61	6.03	4.13	1.75	5.79	4.03	1.90	5.32	3.77	2.06	4.92	3.57	2.27
	19°C	30°C	6.49	5.33	1.49	6.27	5.22	1.61	6.05	5.10	1.75	5.82	4.98	1.90	5.36	4.66	2.06	4.97	4.41	2.27
		33°C	6.57	6.57	1.49	6.36	6.36	1.62	6.15	6.15	1.76	5.94	5.94	1.91	5.50	5.50	2.07	5.14	5.14	2.29
		27°C	7.13	3.70	1.52	6.88	3.61	1.64	6.63	3.52	1.78	6.37	3.42	1.93	5.86	3.19	2.10	5.42	3.01	2.31
		30°C	7.13	4.51	1.52	6.88	4.41	1.64	6.63	4.31	1.78	6.37	4.21	1.93	5.86	3.94	2.10	5.43	3.73	2.31
		33°C	7.13	5.26	1.52	6.89	5.16	1.64	6.64	5.06	1.78	6.38	4.95	1.93	5.87	4.65	2.10	5.44	4.42	2.31
		36°C	7.16	5.97	1.52	6.92	5.85	1.65	6.68	5.73	1.79	6.44	5.60	1.94	5.94	5.25	2.10	5.52	4.98	2.32
585	16°C	21°C	6.11	4.22	1.48	5.89	4.11	1.60	5.67	4.00	1.73	5.44	3.89	1.88	4.99	3.62	2.04	4.60	3.41	2.25
		24°C	6.13	5.12	1.48	5.91	5.00	1.60	5.69	4.88	1.74	5.46	4.76	1.88	5.02	4.44	2.04	4.64	4.19	2.25
		27°C	6.20	5.82	1.48	6.00	5.68	1.61	5.79	5.53	1.74	5.58	5.37	1.89	5.15	4.99	2.05	4.80	4.67	2.26
		30°C	6.46	6.46	1.49	6.28	6.28	1.62	6.08	6.08	1.76	5.89	5.89	1.91	5.45	5.45	2.07	5.10	5.10	2.29
		24°C	6.73	3.99	1.50	6.49	3.89	1.63	6.25	3.79	1.76	6.00	3.69	1.91	5.51	3.43	2.08	5.09	3.24	2.29
		27°C	6.75	4.60	1.50	6.50	4.50	1.63	6.26	4.39	1.77	6.01	4.29	1.91	5.52	4.01	2.08	5.11	3.80	2.29
	19°C	30°C	6.78	5.67	1.51	6.54	5.55	1.63	6.31	5.42	1.77	6.07	5.29	1.92	5.59	4.96	2.08	5.18	4.67	2.29
		33°C	6.89	6.89	1.51	6.68	6.68	1.64	6.47	6.47	1.78	6.25	6.25	1.93	5.79	5.79	2.10	5.42	5.42	2.31
		27°C	7.40	3.91	1.53	7.14	3.82	1.66	6.87	3.72	1.80	6.60	3.62	1.95	6.06	3.38	2.12	5.61	3.19	2.33
		30°C	7.41	4.80	1.53	7.15	4.70	1.66	6.88	4.59	1.80	6.61	4.48	1.95	6.07	4.20	2.12	5.62	3.99	2.33
		33°C	7.42	5.62	1.53	7.16	5.51	1.66	6.90	5.40	1.80	6.63	5.28	1.95	6.10	4.96	2.12	5.65	4.71	2.34
		36°C	7.47	6.35	1.54	7.23	6.23	1.67	6.97	6.10	1.81	6.72	5.96	1.96	6.20	5.58	2.13	5.78	5.26	2.35
654	16°C	21°C	6.34	4.40	1.49	6.11	4.29	1.61	5.87	4.18	1.75	5.63	4.06	1.89	5.16	3.78	2.05	4.76	3.56	2.26
		24°C	6.37	5.35	1.49	6.14	5.22	1.62	5.91	5.09	1.75	5.67	4.96	1.90	5.21	4.63	2.06	4.81	4.36	2.27
		27°C	6.47	6.13	1.50	6.26	5.97	1.62	6.05	5.80	1.76	5.83	5.63	1.91	5.39	5.21	2.07	5.02	4.87	2.29
		30°C	6.80	6.80	1.51	6.60	6.60	1.64	6.40	6.40	1.78	6.19	6.19	1.93	5.73	5.73	2.09	5.36	5.36	2.31
		24°C	6.98	4.22	1.52	6.72	4.12	1.64	6.49	4.01	1.78	6.20	3.90	1.93	5.69	3.64	2.09	5.26	3.43	2.30
		27°C	7.00	4.89	1.52	6.75	4.77	1.64	6.49	4.66	1.78	6.23	4.55	1.93	5.72	4.25	2.09	5.29	4.02	2.31
	19°C	30°C	7.05	6.01	1.52	6.80	5.88	1.65	6.56	5.75	1.78	6.31	5.60	1.94	5.81	5.23	2.10	5.39	4.93	2.32
		33°C	7.21	7.21	1.53	7.00	7.00	1.66	6.78	6.78	1.80	6.56	6.56	1.95	6.07	6.07	2.12	5.68	5.68	2.34
		27°C	7.66	4.13	1.55	7.38	4.04	1.67	7.11	3.94	1.81	6.82	3.84	1.97	6.26	3.58	2.13	5.79	3.38	2.35
		30°C	7.67	5.09	1.55	7.40	5.00	1.68	7.12	4.89	1.82	6.83	4.78	1.97	6.28	4.47	2.14	5.81	4.24	2.35
		33°C	7.70	5.97	1.55	7.43	5.86	1.68	7.16	5.74	1.82	6.88	5.61	1.97	6.33	5.26	2.14	5.86	4.99	2.36
		36°C	7.77	6.74	1.55	7.52	6.62	1.68	7.26	6.47	1.82	7.00	6.31	1.98	6.47	5.89	2.15	6.03	5.54	2.37

Remark

AFR: Air flow rate(CFM)
 EWB: Entering wet bulb temp. (°C)
 EDB: Entering dry bulb temp. (°C)
 TC: Total cooling capacity (kW)
 SHC: Sensible heat capacity (kW)
 PI: Power input

Notes

- 1 Ratings shown are gross capacities which do not include a deduction for indoor fan motor heat.
- 2 Shows nominal capacities.
- 3 Direct interpolation is permissible. Do not extrapolate.
- 4 Unit is able to operate at ambient from 0°C to 46°C without pressure trip.

Heating capacity table

Indoor DB°C	Outdoor WB°C											
	-15		-10		-5		0		6		10	
	TC	PI	TC	PI	TC	PI	TC	PI	TC	PI	TC	PI
16	3.21	1.21	3.98	1.29	4.76	1.37	5.54	1.46	6.47	1.56	7.08	1.63
18	3.18	1.26	3.95	1.35	4.73	1.43	5.51	1.52	6.43	1.62	7.05	1.69
20	3.14	1.32	3.92	1.41	4.70	1.49	5.47	1.58	6.40	1.68	7.02	1.75
21	3.13	1.35	3.91	1.44	4.68	1.52	5.45	1.61	6.39	1.71	7.01	1.78
22	3.11	1.38	3.90	1.47	4.67	1.55	5.44	1.64	6.37	1.74	6.98	1.81
24	3.08	1.45	3.86	1.53	4.63	1.62	5.41	1.70	6.33	1.80	6.95	1.87

Remark

EDB: Entering dry bulb temp. (°C)
 TC: Total capacity (kW)
 PI: Power input (kW)

Notes

- 1 Ratings shown are gross capacities which do not include a deduction for indoor fan motor heat.
- 2 Shows nominal capacities.
- 3 Direct interpolation is permissible. Do not extrapolate.

4 Capacity tables

4 - 1 Cooling/Heating Capacity Tables

FTXB60CV1B + RXB60CV1B

Cooling capacity table

AFR (CFM)	EWB	EDB	Outdoor temperature																		
			19°C			25°C			30°C			35°C			40°C			46°C			
			TC	SHC	PI	TC	SHC	PI	TC	SHC	PI	TC	SHC	PI	TC	SHC	PI	TC	SHC	PI	
418	16°C	21°C	5.17	3.36	1.29	4.98	3.28	1.40	4.80	3.19	1.51	4.61	3.10	1.64	4.23	2.88	1.78	3.91	2.71	1.96	
		24°C	5.17	4.03	1.29	4.99	3.94	1.40	4.81	3.84	1.51	4.61	3.75	1.64	4.24	3.50	1.78	3.92	3.30	1.96	
		27°C	5.22	4.57	1.29	5.04	4.46	1.40	4.86	4.36	1.52	4.68	4.25	1.64	4.32	3.95	1.79	4.02	3.71	1.97	
	19°C	30°C	5.38	5.38	1.30	5.22	5.22	1.41	5.06	5.06	1.53	4.90	4.90	1.66	4.54	4.54	1.80	4.25	4.25	1.99	
		24°C	5.70	3.14	1.31	5.50	3.06	1.42	5.30	2.98	1.54	5.09	2.90	1.67	4.68	2.70	1.81	4.32	2.54	2.00	
		27°C	5.70	3.59	1.31	5.50	3.51	1.42	5.30	3.43	1.54	5.09	3.35	1.67	4.68	3.13	1.81	4.33	2.97	2.00	
	22°C	30°C	5.71	4.43	1.31	5.52	4.34	1.42	5.32	4.24	1.54	5.12	4.14	1.67	4.71	3.87	1.81	4.37	3.67	2.00	
		33°C	5.78	5.78	1.32	5.59	5.59	1.43	5.41	5.41	1.55	5.23	5.23	1.68	4.84	4.84	1.82	4.52	4.52	2.01	
		36°C	6.27	3.07	1.34	6.05	3.00	1.45	5.83	2.92	1.57	5.61	2.84	1.70	5.15	2.65	1.85	4.77	2.50	2.03	
	471	16°C	21°C	5.38	3.51	1.30	5.18	3.42	1.41	4.99	3.33	1.53	4.78	3.23	1.65	4.39	3.01	1.79	4.05	2.83	1.98
			24°C	5.39	4.26	1.30	5.20	4.16	1.41	5.00	4.06	1.53	4.80	3.96	1.66	4.41	3.69	1.80	4.08	3.48	1.98
			27°C	5.46	4.84	1.31	5.27	4.72	1.41	5.09	4.60	1.53	4.91	4.46	1.66	4.53	4.15	1.80	4.22	3.88	1.99
19°C		30°C	5.68	5.68	1.32	5.52	5.52	1.43	5.35	5.35	1.55	5.18	5.18	1.68	4.80	4.80	1.82	4.48	4.48	2.01	
		24°C	5.92	3.32	1.32	5.71	3.24	1.43	5.50	3.15	1.55	5.28	3.05	1.68	4.85	2.86	1.83	4.48	2.69	2.01	
		27°C	5.93	3.82	1.32	5.72	3.74	1.43	5.51	3.65	1.55	5.29	3.57	1.69	4.86	3.33	1.83	4.49	3.16	2.01	
22°C		30°C	5.96	4.72	1.33	5.75	4.61	1.44	5.55	4.51	1.56	5.34	4.40	1.69	4.91	4.11	1.83	4.56	3.89	2.02	
		33°C	6.06	6.06	1.33	5.88	5.88	1.44	5.69	5.69	1.56	5.50	5.50	1.70	5.09	5.09	1.85	4.76	4.76	2.04	
		36°C	6.51	3.25	1.35	6.28	3.17	1.46	6.05	3.09	1.58	5.80	3.01	1.72	5.33	2.81	1.86	4.93	2.65	2.05	
529		16°C	21°C	5.58	3.66	1.31	5.37	3.57	1.42	5.16	3.47	1.54	4.95	3.38	1.67	4.54	3.14	1.81	4.19	2.96	1.99
			24°C	5.60	4.45	1.32	5.40	4.34	1.42	5.20	4.24	1.54	4.99	4.12	1.67	4.58	3.85	1.81	4.23	3.63	2.00
			27°C	5.69	5.10	1.32	5.51	4.97	1.43	5.32	4.83	1.55	5.13	4.68	1.68	4.74	4.33	1.82	4.42	4.04	2.01
	19°C	30°C	5.98	5.98	1.33	5.80	5.80	1.44	5.63	5.63	1.56	5.44	5.44	1.70	5.04	5.04	1.84	4.71	4.71	2.04	
		24°C	6.14	3.51	1.34	5.91	3.42	1.45	5.69	3.34	1.57	5.46	3.25	1.70	5.01	3.03	1.84	4.62	2.85	2.03	
		27°C	6.15	4.06	1.34	5.93	3.97	1.45	5.71	3.88	1.57	5.48	3.78	1.70	5.03	3.54	1.84	4.65	3.35	2.03	
	22°C	30°C	6.21	5.00	1.34	5.99	4.89	1.45	5.77	4.78	1.57	5.55	4.66	1.70	5.11	4.35	1.85	4.74	4.10	2.04	
		33°C	6.34	6.34	1.35	6.15	6.15	1.46	5.96	5.96	1.58	5.77	5.77	1.72	5.34	5.34	1.87	5.00	5.00	2.06	
		36°C	6.73	3.43	1.36	6.49	3.36	1.47	6.25	3.27	1.60	6.00	3.19	1.73	5.51	2.98	1.88	5.09	2.81	2.07	
	22°C	30°C	6.75	4.23	1.36	6.51	4.15	1.47	6.26	4.06	1.60	6.01	3.97	1.73	5.52	3.72	1.88	5.11	3.53	2.07	
		33°C	6.77	4.96	1.36	6.54	4.88	1.48	6.30	4.77	1.60	6.05	4.67	1.74	5.57	4.37	1.88	5.16	4.15	2.07	
		36°C	6.83	5.60	1.37	6.62	5.50	1.48	6.39	5.38	1.61	6.16	5.25	1.74	5.69	4.89	1.89	5.31	4.61	2.09	

Remark

AFR: Air flow rate(CFM)
 EWB: Entering wet bulb temp. (°C)
 EDB: Entering dry bulb temp. (°C)
 TC: Total cooling capacity (kW)
 SHC: Sensible heat capacity (kW)
 PI: Power input

Notes

- 1 Ratings shown are gross capacities which do not include a deduction for indoor fan motor heat.
- 2 Shows nominal capacities.
- 3 Direct interpolation is permissible. Do not extrapolate.
- 4 Unit is able to operate at ambient from 0°C to 46°C without pressure trip.

Heating capacity table

Indoor DB°C	Outdoor WB°C											
	-15		-10		-5		0		6		10	
	TC	PI	TC	PI	TC	PI	TC	PI	TC	PI	TC	PI
16	2.82	1.08	3.50	1.16	4.18	1.23	4.86	1.31	5.68	1.39	6.22	1.46
18	2.79	1.13	3.47	1.21	4.16	1.28	4.84	1.36	5.65	1.45	6.19	1.51
20	2.76	1.18	3.44	1.26	4.13	1.33	4.81	1.41	5.62	1.50	6.16	1.56
21	2.75	1.21	3.43	1.29	4.11	1.36	4.79	1.44	5.61	1.53	6.15	1.59
22	2.73	1.24	3.42	1.31	4.10	1.39	4.78	1.46	5.59	1.55	6.13	1.61
24	2.70	1.30	3.39	1.37	4.07	1.45	4.75	1.52	5.56	1.61	6.10	1.67

Remark

EDB: Entering dry bulb temp. (°C)
 TC: Total capacity (kW)
 PI: Power input (kW)

Notes

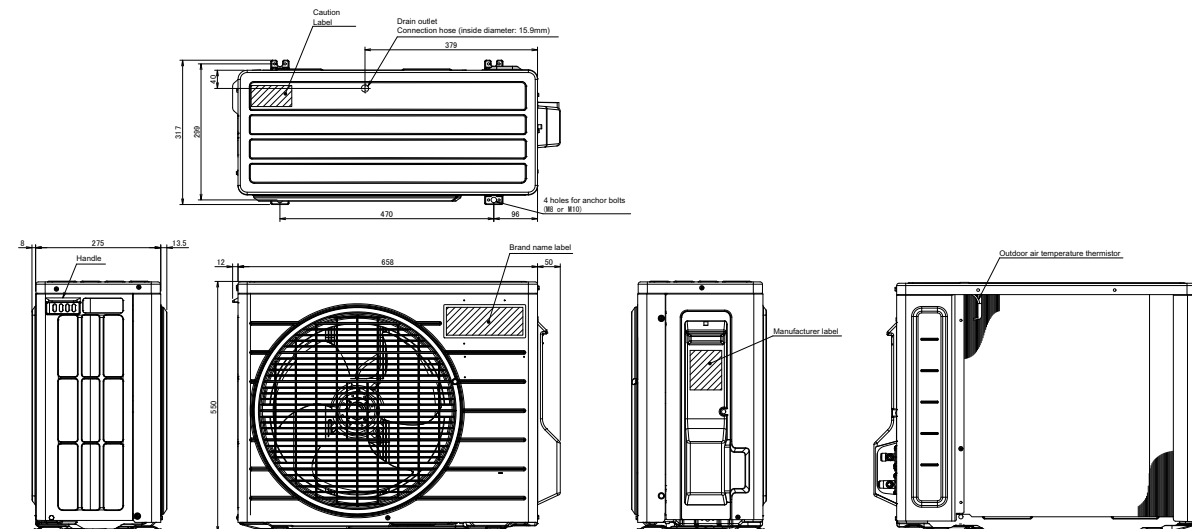
- 1 Ratings shown are gross capacities which do not include a deduction for indoor fan motor heat.
- 2 Shows nominal capacities.
- 3 Direct interpolation is permissible. Do not extrapolate.

5 Dimensional drawings

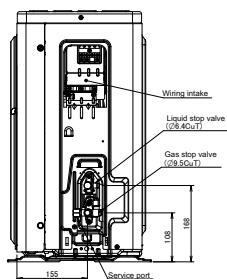
5 - 1 Dimensional Drawings

5

RXB20-35C

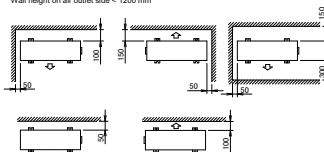


In case of removing the stop valve cover.



Minimum space for air passage.

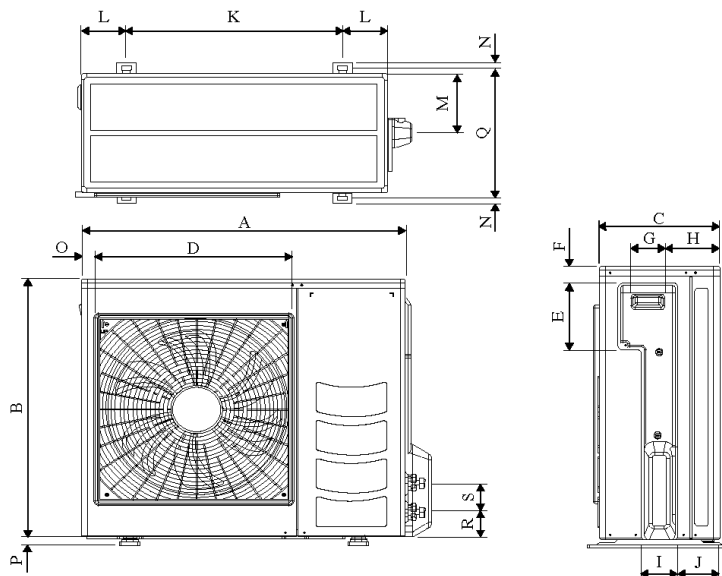
Wall height on air outlet side < 1200 mm



2D090672

RXB50-60C

All dimensions are in mm



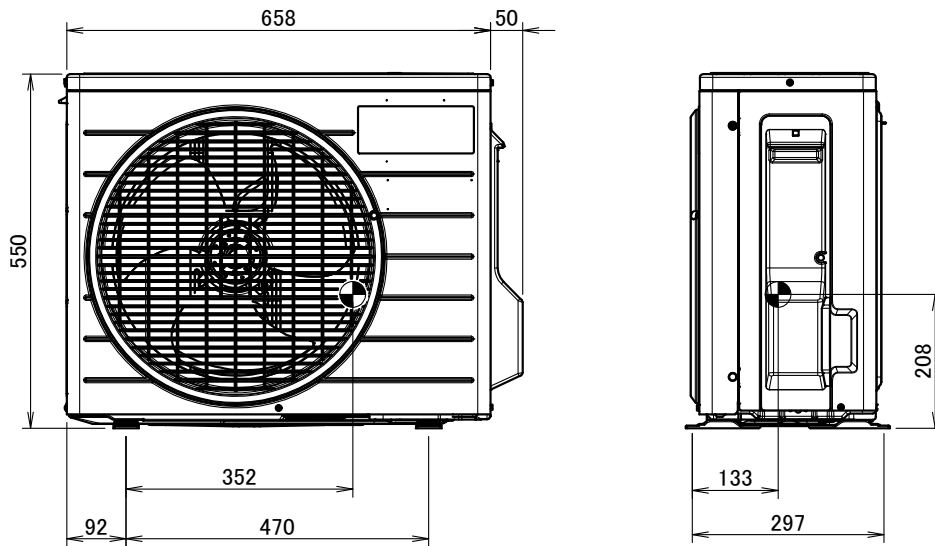
Model	Dimension	A	B	C	D	E	F	G	H	I	J	K	L	M	N	O	P	Q	R	S
RXB50-60C		855	730	328	520	179	46	93	149	101	113	603	126	164	15	34	23	362	73	75

Dimension_RXB-CV1B_2015-01-16

6 Centre of gravity

6 - 1 Centre of Gravity

RXB20-25C

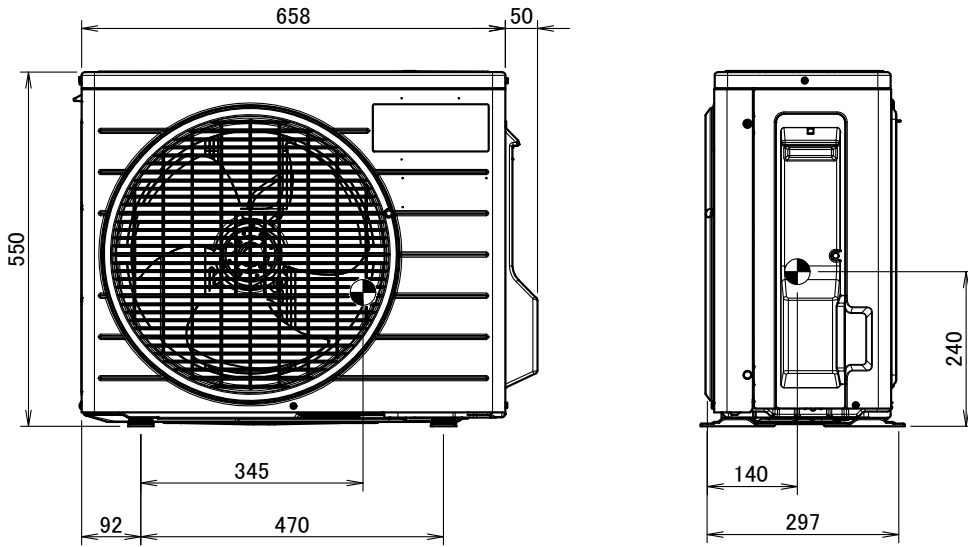


4D092001

6 Centre of gravity

6 - 1 Centre of Gravity

RXB35C

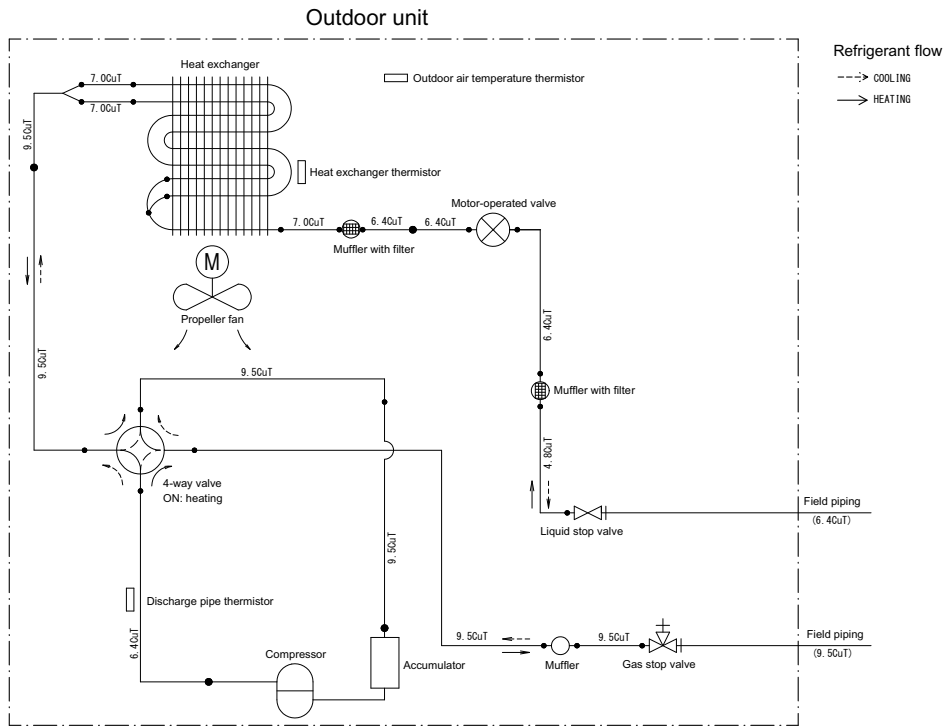


4D092003

7 Piping diagrams

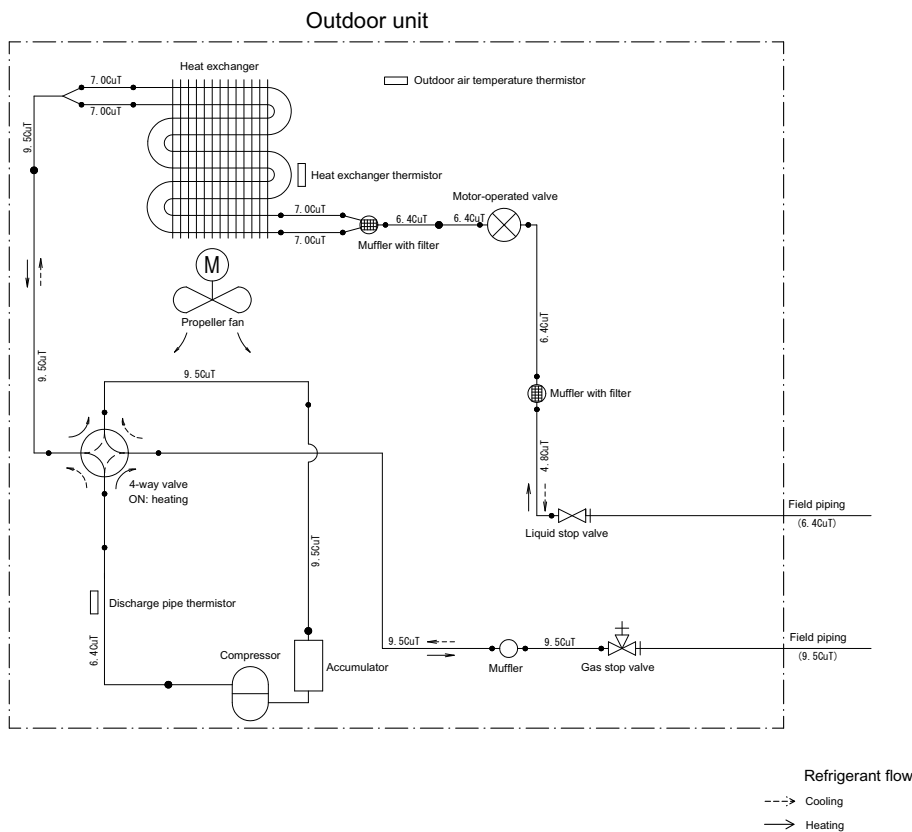
7 - 1 Piping Diagrams

RXB20-25C



30090673

RXB35C

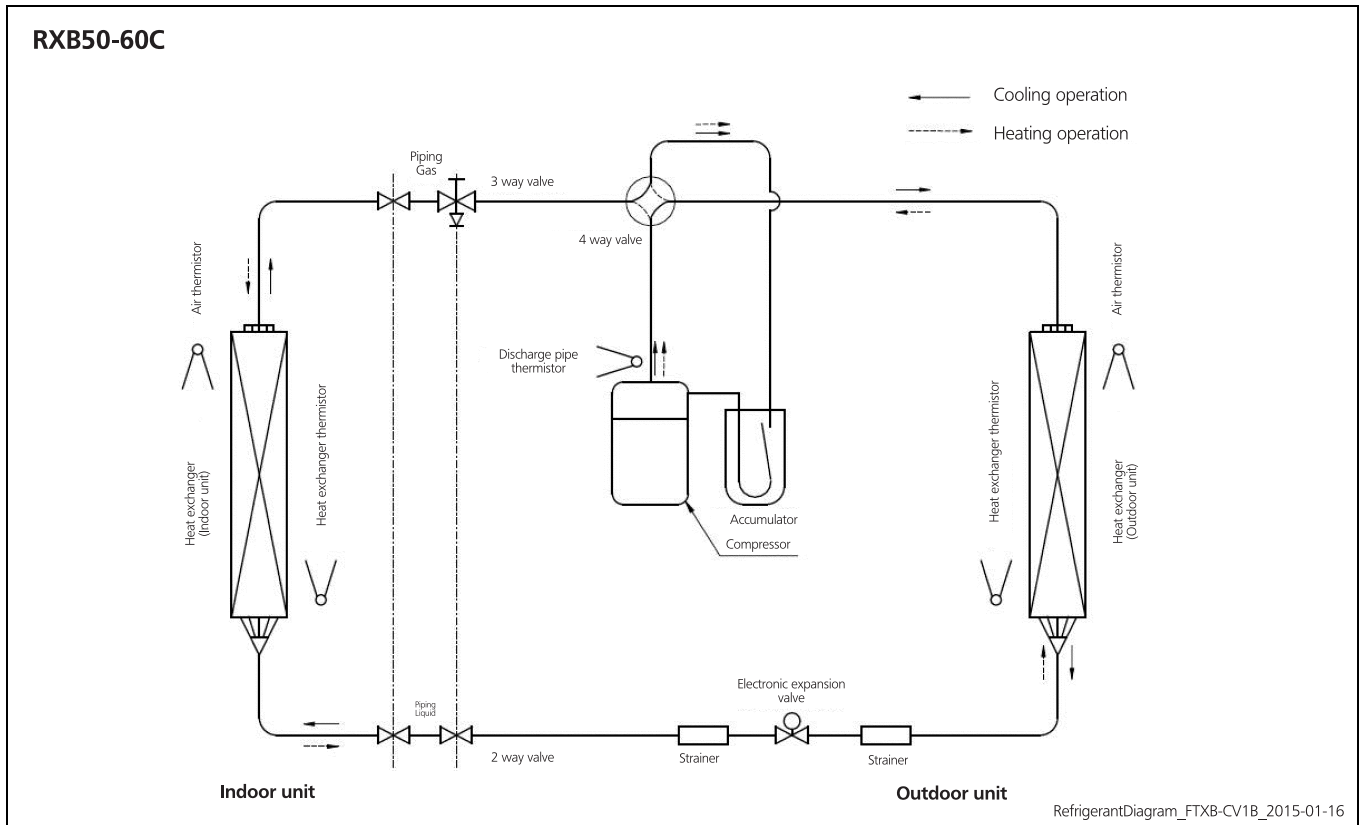


30090674

7 Piping diagrams

7 - 1 Piping Diagrams

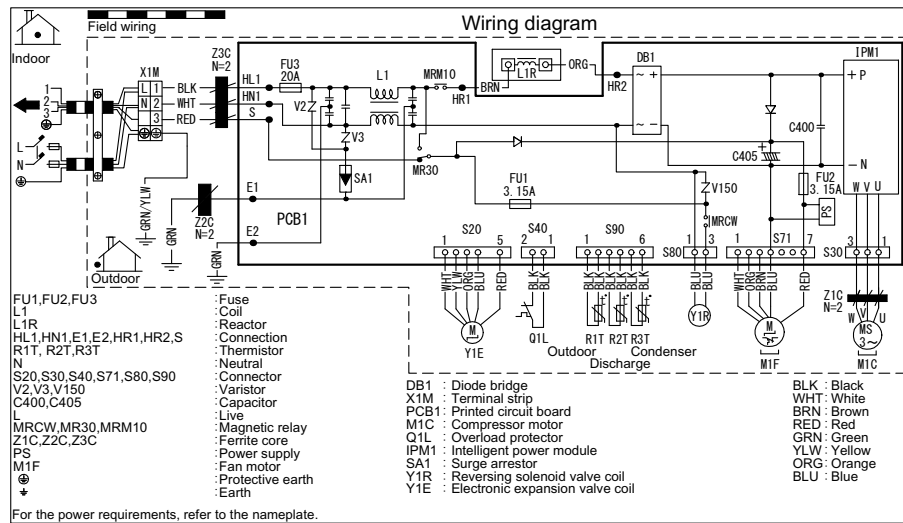
7



8 Wiring diagrams

8 - 1 Wiring Diagrams - Single Phase

RXB20-35C



Notes

1. Size: length 80 X width 140.
2. Refer to purchasing specification AS303002, unless otherwise specified.

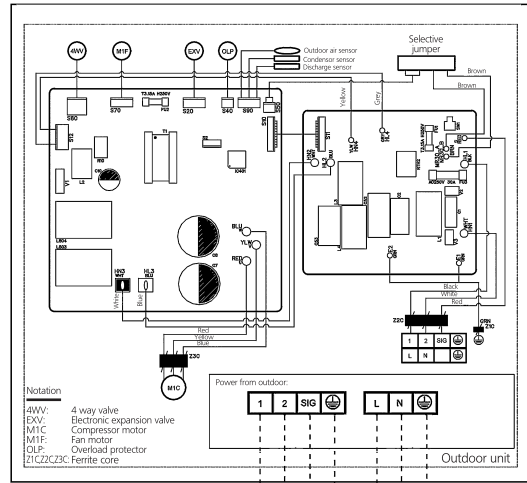
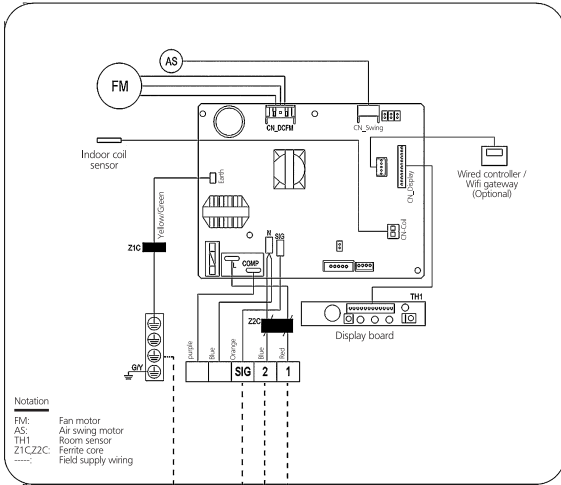
4D090152

8 Wiring diagrams

8 - 1 Wiring Diagrams - Single Phase

8

RXB50-60C

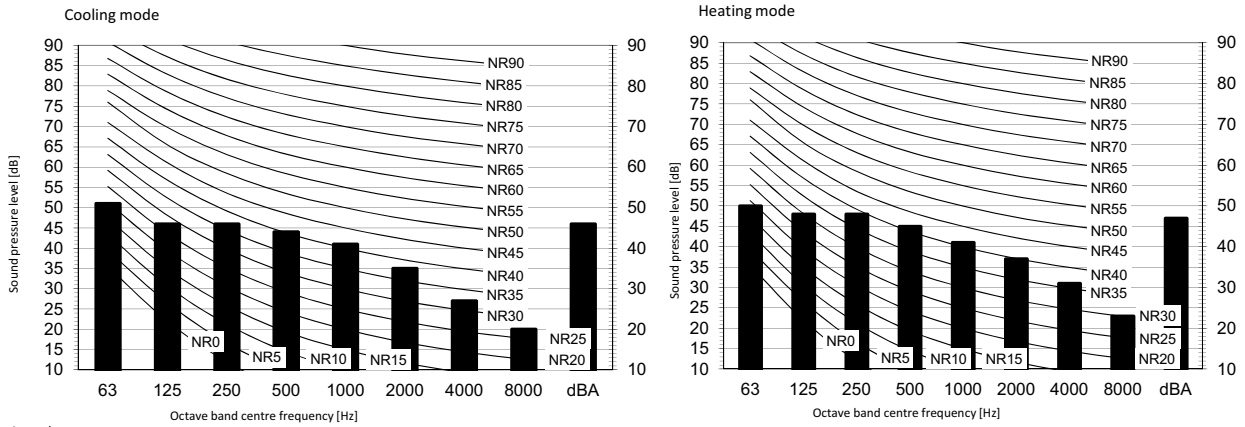


WiringDiagram_FTXB5060CV1B_2015-01-26

9 Sound data

9 - 1 Sound Pressure Spectrum

RXB20C



Legend

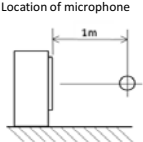
dBA = A-weighted sound pressure level (A scale according to IEC).

A Scale

B High-tap

Low-tap

Location of microphone



Cooling		Total dB
A	B	
dBA	46	

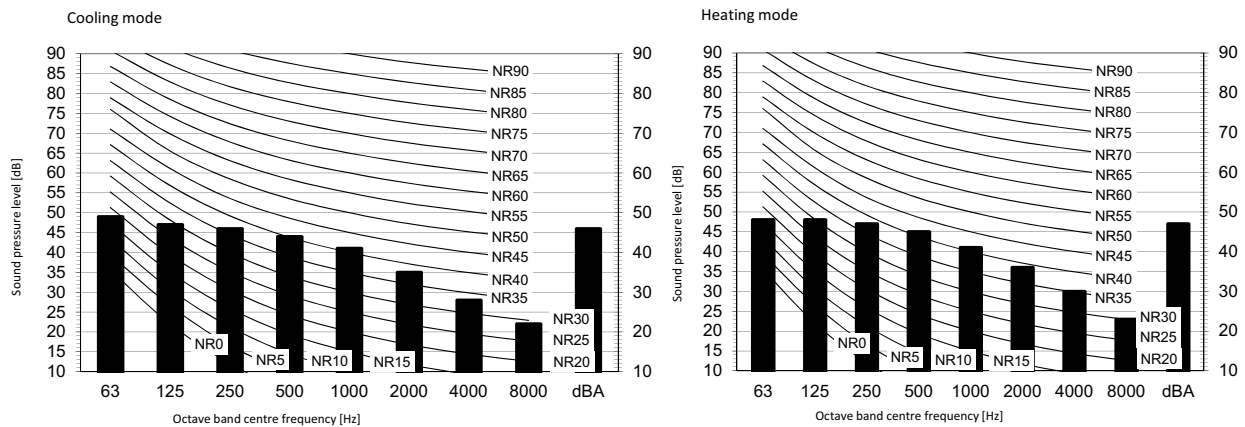
Heating		Total dB
A	B	
dBA	47	

Notes

1. Operating conditions: power source 220-240 V/220 V 50/60 Hz; JIS standard
2. Background noise already taken into account.
3. Operating noise varies depending on operation and ambient conditions.
4. The operation noise measuring method is in accordance with JISC9612.
5. Measuring location: anechoic chamber

3D092072A

RXB25C



Legend

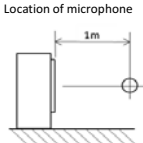
dBA = A-weighted sound pressure level (A scale according to IEC).

A Scale

B High-tap

Low-tap

Location of microphone



Cooling		Total dB
A	B	
dBA	46	

Heating		Total dB
A	B	
dBA	47	

Notes

1. Operating conditions: power source 220-240 V/220 V 50/60 Hz; JIS standard
2. Background noise already taken into account.
3. Operating noise varies depending on operation and ambient conditions.
4. The operation noise measuring method is in accordance with JISC9612.
5. Measuring location: anechoic chamber

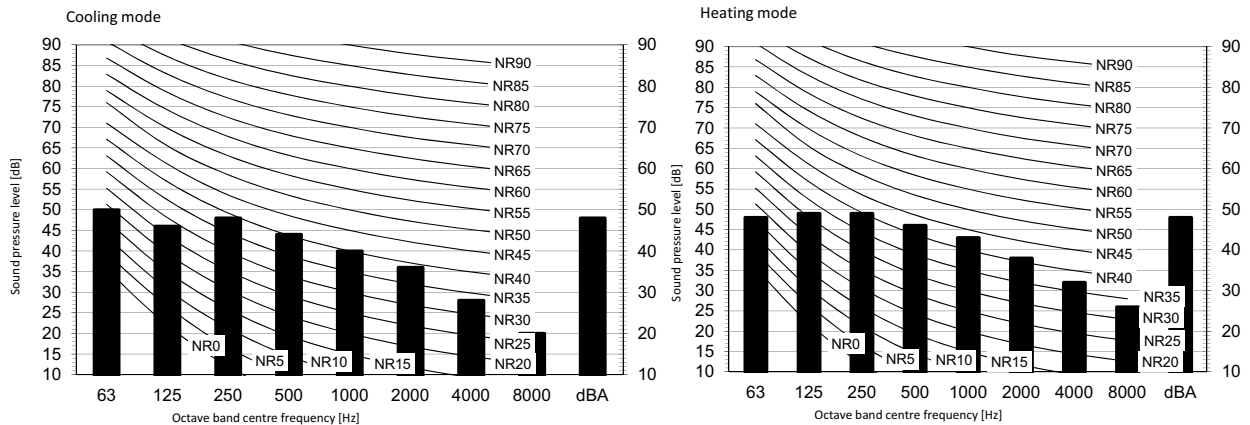
3D092073A

9 Sound data

9 - 1 Sound Pressure Spectrum

9

RXB35C



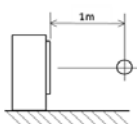
Legend

dBA = A-weighted sound pressure level (A scale according to IEC).

A Scale

B High-tap
 Low-tap

Location of microphone



Cooling		Total dB
A	B	
dBA	48	

Heating		Total dB
A	B	
dBA	48	

Notes

1. Operating conditions: power source 220-240 V/220 V 50/60 Hz; JIS standard
2. Background noise already taken into account.
3. Operating noise varies depending on operation and ambient conditions.
4. The operation noise measuring method is in accordance with JISC9612.
5. Measuring location: anechoic chamber

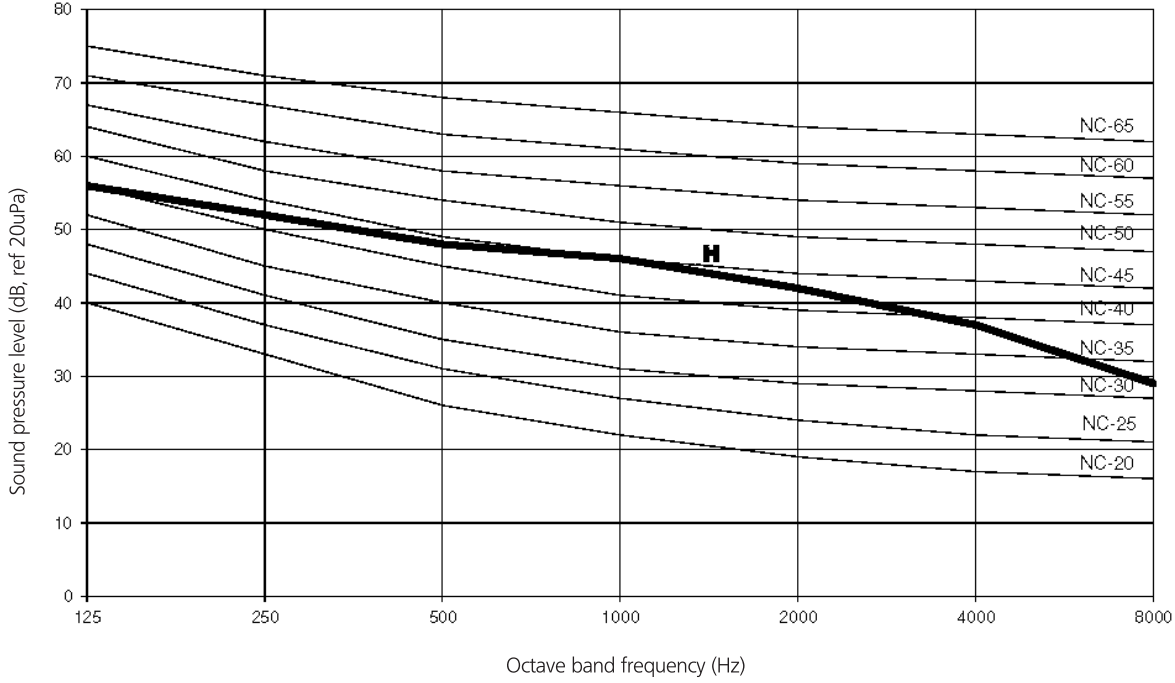
3D092074A

9 Sound data

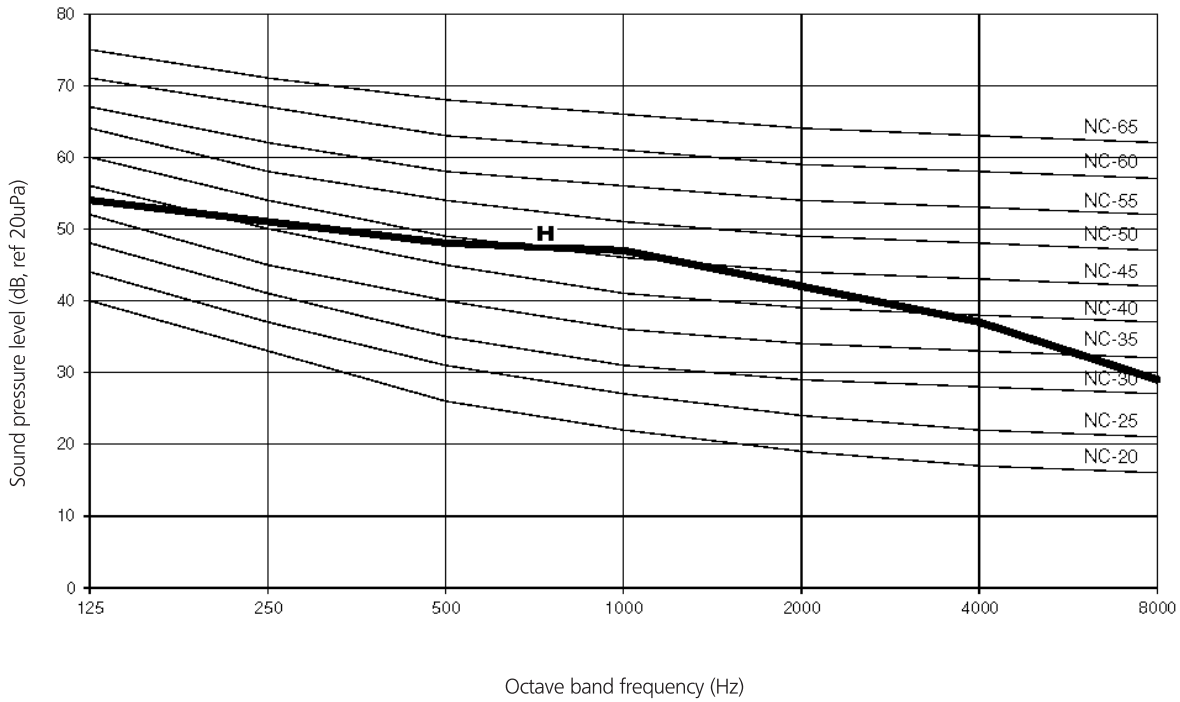
9 - 1 Sound Pressure Spectrum

RXB50-60C

RXB50C



RXB60C



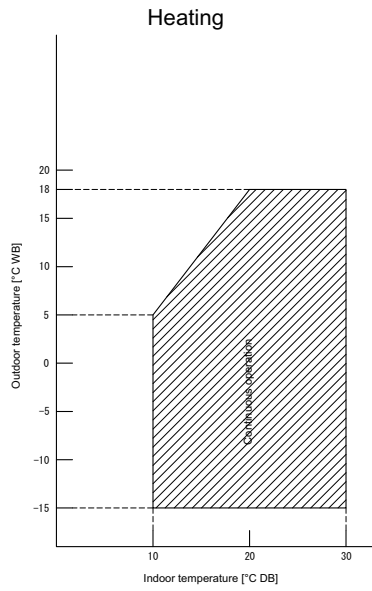
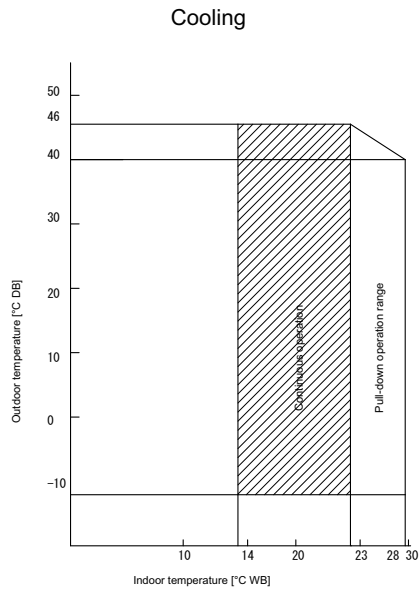
NcCurve_RXB-CV1B_2015-01-16

10 Operation range

10 - 1 Operation Range

10

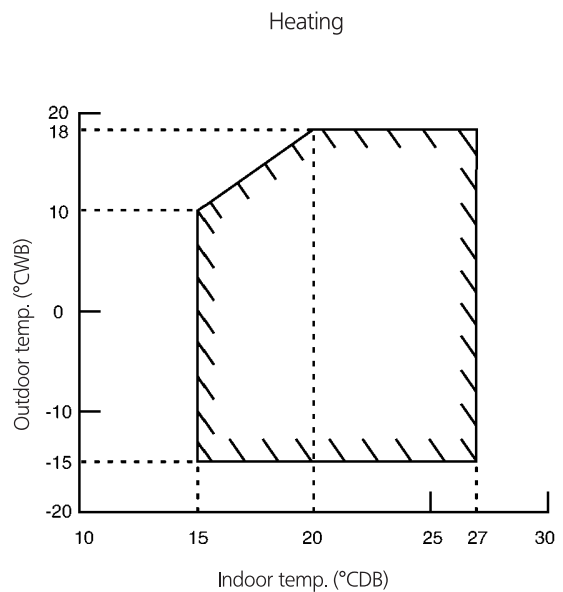
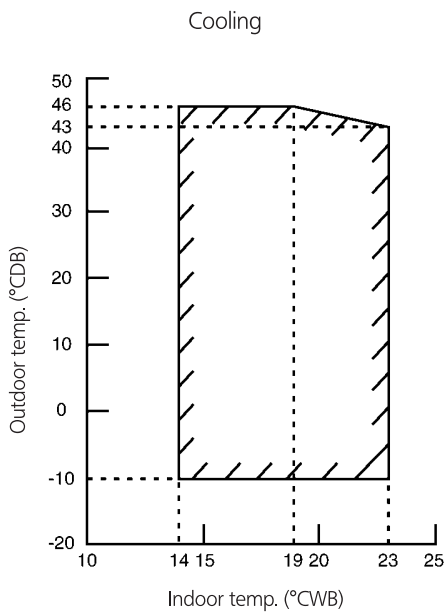
RXB20-35C



Notes
 The graphs is based on the following conditions.
 Corresponding refrigerant piping length: 5 m
 Level difference: 0m
 Air flow rate High

3D091960A

RXB50-60C



DB: Dry bulb
 WB: Wet bulb

OperatingRange_FTXB-CV1B_2015-01-16



Daikin Europe N.V. participates in the Eurovent Certification programme for Liquid Chilling Packages (LCP), Air handling units (AHU), Fan coil units (FCU) and variable refrigerant flow systems (VRF) Check ongoing validity of certificate online: www.eurovent-certification.com or using: www.certiflash.com

The present leaflet is drawn up by way of information only and does not constitute an offer binding upon Daikin Europe N.V.. Daikin Europe N.V. has compiled the content of this leaflet to the best of its knowledge. No express or implied warranty is given for the completeness, accuracy, reliability or fitness for particular purpose of its content and the products and services presented therein. Specifications are subject to change without prior notice. Daikin Europe N.V. explicitly rejects any liability for any direct or indirect damage, in the broadest sense, arising from or related to the use and/or interpretation of this leaflet. All content is copyrighted by Daikin Europe N.V.

BARCODE

Daikin products are distributed by: